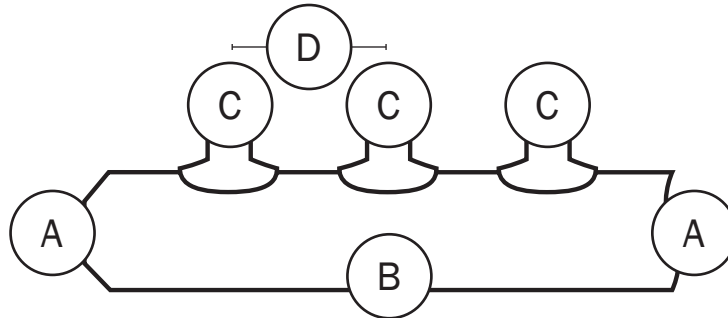




Special Order Copper Manifolds



TRUNK ENDS

- Spin-closed
- 3/4"-1 1/4" F1807 PEX barb
- 3/4"-1 1/4" MSWT or FSWT
- 3/4"-1 1/4" MIP or FIP thread
- 2" MSWT or FSWT
- Spin-closed
- Full port ball valve



TRUNK

- 3/4" Type L Copper
 - 1" Type L Copper
 - 1 1/4" Type L Copper
 - 1 1/2" Type L Copper
 - 1 3/4" Type L Copper
 - 2" Type L Copper
- (All sizes are nominal CTS)



BRANCHES

- 3/8" PEX barb
- 1/2" PEX barb
- 1/2" MSWT or FSWT
- 1/2" MIP or FIP thread
- 3/4" PEX barb
- 3/4" MSWT or FSWT
- 3/4" MIP or FIP thread
- 1" PEX barb
- 1" MSWT or FSWT
- 1" MIP or FIP thread



BRANCH ON-CENTER INTERVALS

- 1 1/2"
 - 2"
 - 2 1/2"
- (and every half-inch after)

A TRUNK END 1 _____ A TRUNK END 2 _____

B TRUNK SIZE _____

C BRANCH TYPE _____

NUMBER OF BRANCHES (OR QTY OF EACH TYPE) _____

BRANCH-TO-TRUNK ATTACHMENT Brazed Lead-free soldered

BALL VALVES ON BRANCHES Yes No

D BRANCH ON-CENTER INTERVALS _____

Brief description of application _____

Company _____

Name (contact) _____

Phone _____

Fax _____

Email _____

Fax to Sioux Chief at 1.800.758.5950 Attn: Customer Service

BRANCHMASTER SPECIAL ORDER 9/14

Supply

Drainage

Support

www.siouxchief.com

TAKE THE FIELD.

