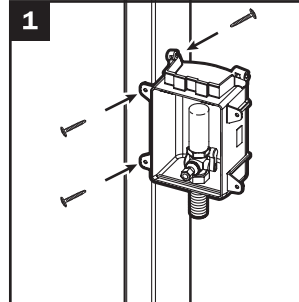
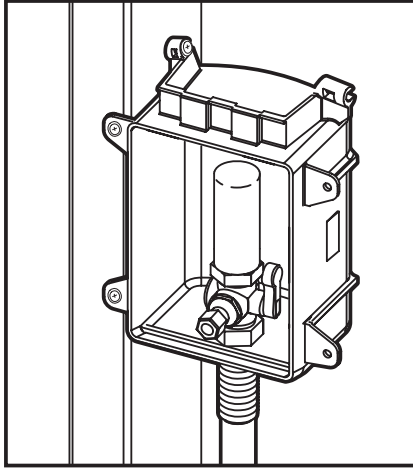




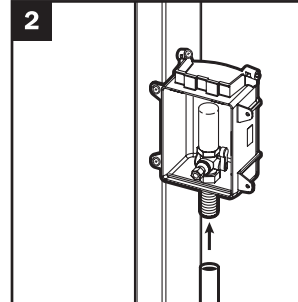
# Fire-Rated OxBox™

## Installation Guide | Guía de Instalación | Guide d'Installation

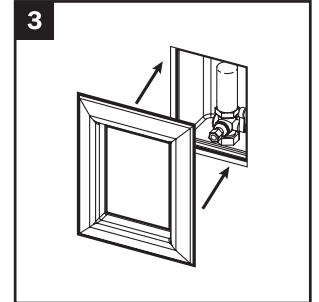
### Installation on Stud | Instalación en Montante de Madera | Installation au Montant



1  
Secure assembly to stud  
Asegure la asamblea al puntal  
Fixer l'assemblage au montant



2  
Connect supply line according to industry standards. Open valves before any soldering  
Conecte línea de alimentación de acuerdo a los estándares de industria. Abra la válvula antes de soldar  
Raccorder le conduite d'alimentation selon les normes de l'industrie. Ouvrir le robinet avant toute soudure



3  
Install frame after wall finish  
Instale marco después de acabado de pared  
Installer le cadre après la finition du mur

Conforms to ASTM E-814  
- 2 hrs. (F) , 1.5 hrs. (T)

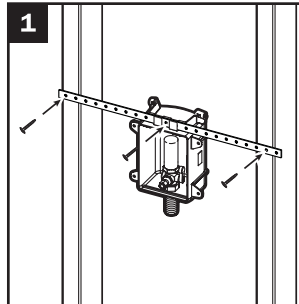
Conforms to ASTM E-119  
Package includes factory-installed intumescent pads.

Ajuste a ASTM E-814  
- 2 hrs. (F) , 1.5 hrs. (T)

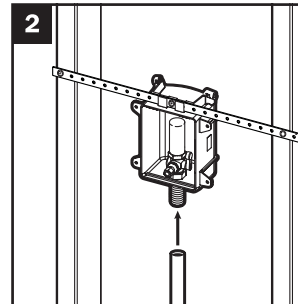
Ajuste a ASTM E-119  
El paquete incluye almohadilla intumescentes instaladas por la fabrica.



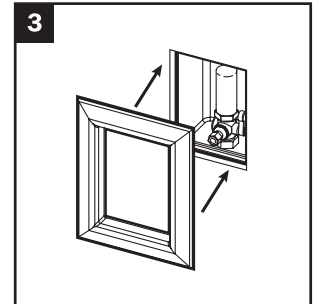
### Installation Between Studs | Instalación Entre de los Maderas | Installation Entre les Montants



1  
Slide bracket into top track and secure bracket to studs  
Deslice soporte hacia riel de arriba y asegure la soporte a los maderas  
Faites glisser le support dans la partie supérieure et fixer l'assemblage au montant

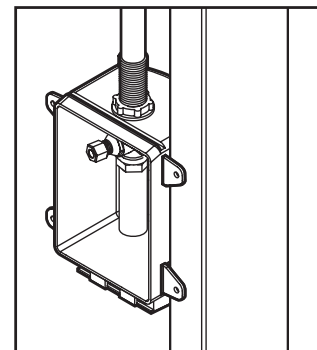
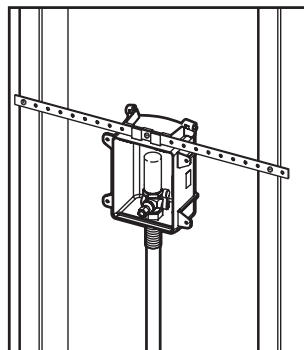
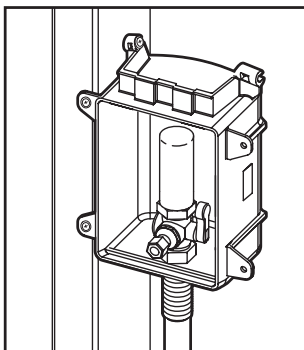


2  
Connect supply line according to industry standards. Open valves before any soldering  
Conecte línea de alimentación de acuerdo a los estándares de industria. Abra la válvula antes de soldar  
Raccorder le conduite d'alimentation selon les normes de l'industrie. Ouvrir le robinet avant toute soudure



3  
Install frame after wall finish  
Instale marco después de acabado de pared  
Installer le cadre après la finition du mur

### Multiple Installation Options | Opciones Múltiples de Instalación | Plusieurs options d'installation



Supply

Drainage

Support

Specialties

www.siouxchief.com

TAKE THE FIELD.



# Fire-rated OxBox™

## Design Specification

### 1. WALL CONSTRUCTION

- Wood or metal stud construction, max 100 in.<sup>2</sup> of penetrations per 100 ft<sup>2</sup> of wall.
- 16" or 24" on-center stud construction.
- Can be installed with a gap between front and back wall assemblies (UL Design # U341) (Figure 2).
- Single-layer 5/8" gypsum construction with 1-hour fire rating.
- Double-layer 5/8" gypsum construction with 2-hour fire rating. Frame extensions can be used.
- Boxes cannot be installed back to back.

### 2. PIPE/BOX SUPPORT

- Each outlet box shall be installed in a separate stud bay and attached to the stud (Figure 3 & 4). Fire rating does not apply to installations of two or more boxes in the same stud bay.
- Supplied support bar.
- Supply lines to be installed using ordinary methods.
- Drain line to be supported using ordinary methods.

### 3. PIPE MATERIAL

- 2" or larger metallic, PVC, or ABS DWV pipe.
- Metallic or plastic water supply pipe.

### 4. FIRESTOP DEVICE

Sioux Chief fire-rated OxBox uses fire-rated resin. Boxes have 4" x 4" intumescent adhesive pads factory installed on the back of boxes.

NOTE: Gaps up to 1/2" around box can be sealed with drywall plaster. Larger gaps require firestop sealant applied to opening spanning entire drywall depth

"over stud" installation

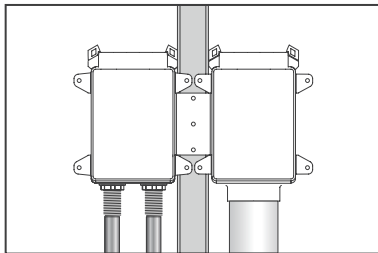


FIGURE 3

"separate stud bay" installation

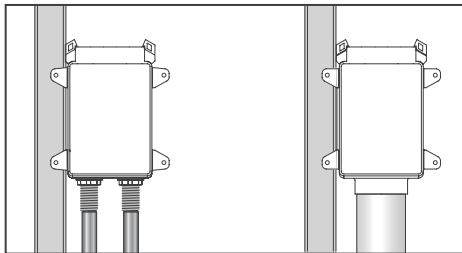


FIGURE 4

FIGURE 1

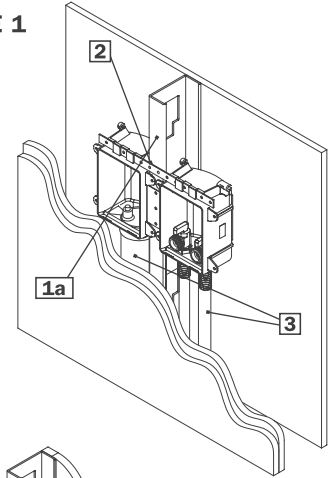
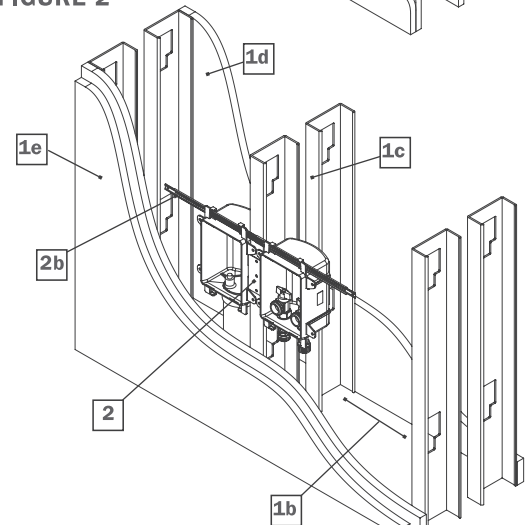


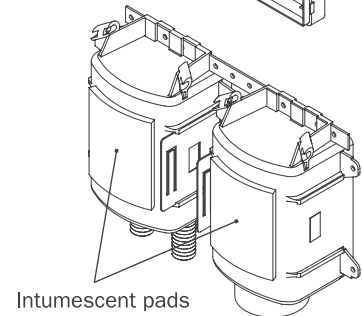
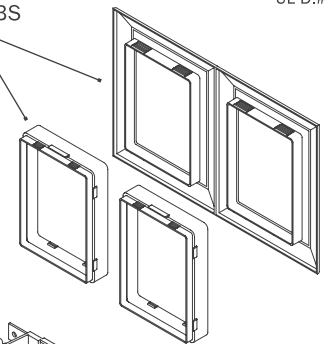
FIGURE 2



4

Fire-rated ABS

UL D.#U341



Intumescent pads

**THE FIRE-RATED OXBOX IS CERTIFIED BY INTERTEK/WARNOCK HERSEY TO THE FOLLOWING FIRE RATING STANDARDS:**

**ASTM E-814**  
2 hours (F), 1½" hours (T)  
for 2-hour design  
1 hour (F), 31 mins (T)  
for 1-hour design

**ASTM E119**

**CAN/ULC S115**  
2 hours (F), 1½" hours (T)  
for 2-hour design  
1 hour (F), 31 mins (T)  
for 1-hour design

**UL 1479**



Patent 7,360,553 and 7,735,551

www.siouxchief.com

14940 Thunderbird Road  
Kansas City, MO 64147  
P 1.800.821.3944  
F 1.800.758.5950

