

FIRE-RATED DUAL-VALVE ACCESS PANEL

698R SERIES

OmniPanel™

SPECIFICATION

Sioux Chief 698R Series OmniPanel™ Fire-Rated Dual-Valve Access Panel shall be used where necessary in plumbing systems for accessible mounting of water supply and drainage penetration. Panel shall be supplied with ¼-turn supply valves, having ⅜" compression or ¾" male hose connections. Arrester variations can be installed with arresters at any angle. Corrosion-proof access plate shall include a flexible, elastomer opening to provide a sealing penetration for DWV pipe or fitting hub. Panel allows for debris cover to snap in for protection during rough-in. Valves shall be replaceable with any common ⅝" compression valve. Outlet connections shall be provided with a tamper-resistant test cap. Valves shall be plated.

MATERIALS

- Valve:** No-lead brass¹
- Valve shank:** No-lead brass¹/copper/PPSU/CPVC, 304SS grip ring
- Panel:** FR-GFPP with fire-rated elastomer
- Frame²:** FR-ABS
- Frame extension²:** FR-ABS
- Hole insert strips:** FR-ABS
- Bracket:** Galvanized steel (when included)
- Debris cover:** Polyethylene
- Arrester Body:** Stainless Steel, C69300 No-lead brass¹
- Arrester Piston:** GFPP with EPDM o-rings

INSTALLATION

Recommended that valves are set below elastomer to allow finish hose flex and connection in all wall thicknesses.

VALVE/ARRESTER WORKING LIMITS

- Max working temp:** 200 °F
- Max air/water testing & working pressure:** 150 PSIG

DIMENSIONS

- A:** Panel width 7½"
- B:** Panel height 6½"
- C:** Supply spacing C/L 4"
- D:** Panel to valve outlet 1⅝"
- E:** Panel to valve supply 1⅝"
- F:** Frame² width 7¼"
- G:** Frame² height 8¼"

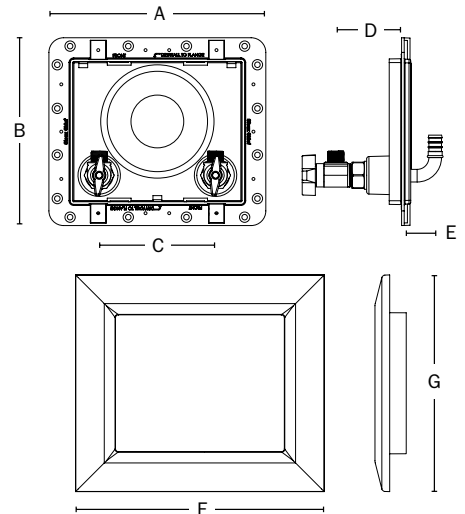
CERTIFICATIONS/APPROVALS

- NSF-372 compliant, IAPMO listed
- Valves meet ASME A112.18.1
- Arresters* ASSE 1010 certified
- Listed by Intertek to meet:
- ASTM E-814:
- 2hrs (F), 1hr 55mins (T) for 2-hour design
- CAN/ULC S115
- 2hrs (FH), 1hr 55mins (FTH) for 2-hour design
- Control No: 5006619
- Design No: SC/PF120

ITEM # SUBMITTED	_____
JOB NAME	_____
LOCATION	_____
ENGINEER	_____
CONTRACTOR	_____
PO#	_____ TAG _____



698RA11-XR



Create Item Number

698R A B C

e.g. **698RA11-XR:** Supply access panel with two ⅜" valves, F1807 PEX connection, debris cover and color clips included

VALVE OUTLET CONNECTIONS **A**

- A11** = ⅜" Comp. thread - angle
- A33** = ¾" Male hose - angle

ARRESTERS **B**

- = No arresters
- A** = With arresters*

SUPPLY INLET CONNECTION **C**

- CR** = ½" CPVC socket
- MR** = ½" MIP/F.SWT
- PR** = ½" M.SWT/press/push
- VR** = ½" PEX F3347 press sleeve³
- WR** = ½" PEX F1960 Grip™
- XR** = ½" PEX F1807 Crimp™

Available separately:

Fire-Rated Finish Kit: Item No. 698RF
Includes frame, hole-insert strips, and frame extension

¹ C69300 material is DZR and SCC resistant, compliant with NSF-61 & 372, and compliant with California No Lead Plumbing Law

² Fire-Rated finish kit (698RF) available separately

³ Available in 3/8" valve outlet only

FIRE-RATED OMNIPANEL DUAL-VALVE ACCESS PANEL

»» DESIGN SPECIFICATION

1. WALL CONSTRUCTION

- a. Wood or metal stud construction
- b. 16" or 24" on-center stud construction.
- c. Double-layer 5/8" gypsum construction with 2-hour fire rating.
- d. Panels cannot be installed back to back.

Fire-Rated finish kit includes:

Frame, hole-insert strips (2), and frame extension. Available separately.

2. PIPE/PANEL SUPPORT

- a. Each panel shall be installed in a separate stud bay and attached to the stud via brackets (fig 2). Fire rating does not apply to installations of two or more panels in the same stud bay.
- b. Supplied brackets.
- c. Supply lines to be installed using ordinary methods.
- d. Drain line to be supported using ordinary methods.

3. PIPE MATERIAL

- a. 1-1/2" or larger metallic, PVC, or ABS DWV pipe.
- b. Metallic or plastic water supply pipe.

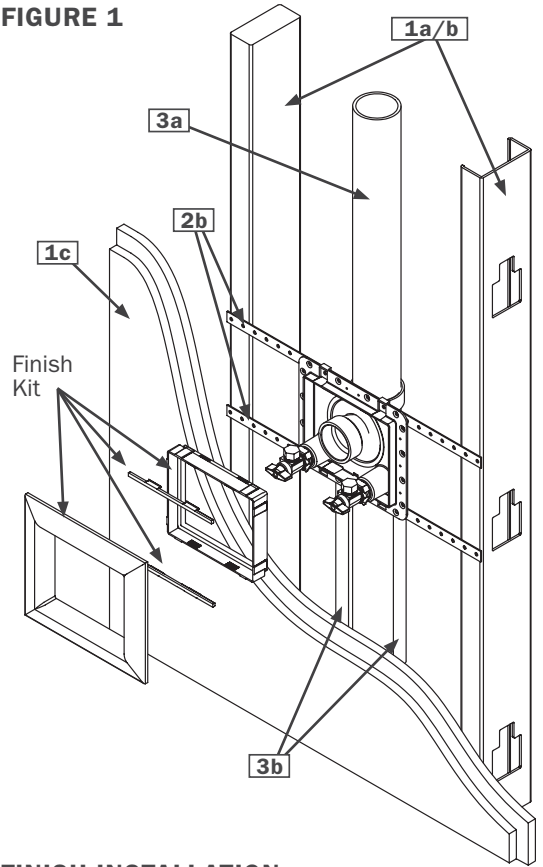
4. FIRE-RATED RESINS

Sioux Chief fire-rated OmniPanel uses fire-rated resin.

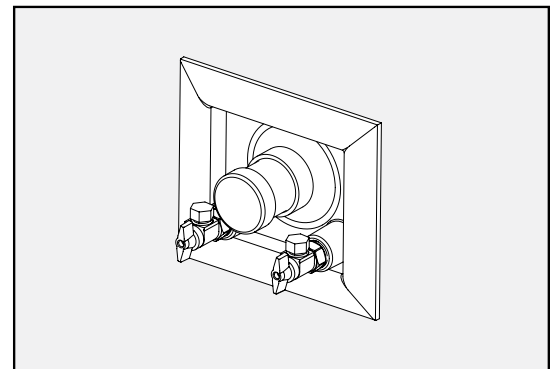
NOTE: Gaps up to 1/2" around panel can be sealed with drywall plaster.

Larger gaps require firestop sealant applied to opening spanning entire drywall depth

FIGURE 1



FINISH INSTALLATION



THE FIRE-RATED OMNIPANEL IS CERTIFIED BY INTERTEK
TO THE FOLLOWING FIRE RATING STANDARDS:



Intertek

Control No. 5006619
ASTM E814 • SC/PF 120
bpdirectory.intertek.com

ASTM E-814

2hrs (F), 1hr 55mins (T) for 2-hour design

CAN/ULC S115

2hrs (FH), 1hr 55mins (FTH) for 2-hour design