

FIRE-RATED OUTLET BOX

696R SERIES

SPECIFICATION

Sioux Chief 696R Series OxBx single-hole outlet box with finish frame shall be used where necessary in accessible plumbing applications. Box shall provide an appropriately sized hole for accessible line/fixture. Box shall incorporate mounting tabs, and include metal support bracket for installation into track of box for added support.

INSTALLATION

Stud construction can be non-load bearing or load bearing. Wood or metal stud construction, max 100 in² of penetrations per 100 ft² of wall. See fire-rated design specification - page 2.

MATERIALS

Outlet box: ABS

Frame: Fire-rated ABS

Frame Extension*: Fire-rated ABS

Bracket: Galvanized steel

Fire-guard: Intumescent material

*696-EX available separately. Used with two layers of drywall for 2-hour specifications.

WORKING TEMPERATURE

Melting point: 200°F

Working temperature: 150°F

CERTIFICATIONS/APPROVALS

IAPMO listed - Conforms to IPC

Listed by Warnock Hersey to meet:

ASTM E-814, CAN/ULC S115

2 hours (F), 31 minutes (T) for 2-hour design

1 hour (F), 31 minutes (T) for 1-hour design

ASTM E-119, UL 1479

System design number:

SC/WA120, W/N 14409

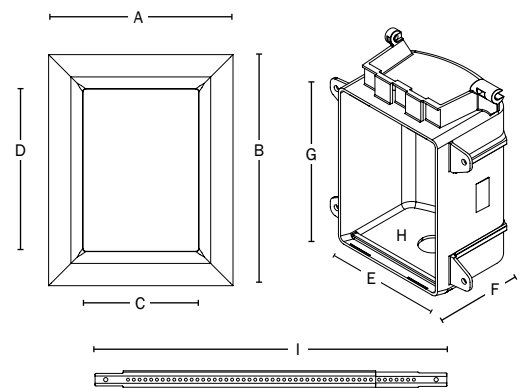
DIMENSIONS

A: Frame width	5 ³ / ₄ "
B: Frame height	7 ¹ / ₄ "
C: Frame opening width	3 ⁵ / ₈ "
D: Frame opening height	5 ¹ / ₈ "
E: Rough-in box width	4"
F: Rough-in box depth	3 ¹ / ₂ "
G: Rough-in box height	5 ¹ / ₂ "
H: Hole diameter	1"
I: Bracket length	18"

ITEM # SUBMITTED	_____
JOB NAME	_____
LOCATION	_____
ENGINEER	_____
CONTRACTOR	_____
PO#	_____ TAG _____



696R4



Item Number

696R4

Available separately:

Fire-Rated frame extension: 696-EX

Galvanized box clip for stud mount: 696-BC

FIRE-RATED OXBOX

DESIGN SPECIFICATION

1. WALL CONSTRUCTION

- Wood or metal stud construction, max 100 in.² of penetrations per 100 ft² of wall.
- 16" or 24" on-center stud construction.
- Can be installed with a gap between front and back wall assemblies (UL Design # U341) (Figure 2).
- Single-layer 5/8" gypsum construction with 1-hour fire rating.
- Double-layer 5/8" gypsum construction with 2-hour fire rating. Frame extensions can be used.
- Boxes cannot be installed back to back.

2. PIPE/BOX SUPPORT

- Each outlet box shall be installed in a separate stud bay and attached to the stud (Figure 3 & 4). Fire rating does not apply to installations of two or more boxes in the same stud bay.
- Supplied support bar.
- Supply lines to be installed using ordinary methods.
- Drain line to be supported using ordinary methods.

3. PIPE MATERIAL

- 2" or larger metallic, PVC, or ABS DWV pipe.
- Metallic or plastic water supply pipe.

4. FIRESTOP DEVICE

Sioux Chief fire-rated OxBox uses fire-rated resin. Boxes have 4" x 4" intumescent adhesive pads factory installed on the back of boxes.

NOTE: Gaps up to 1/2" around box can be sealed with drywall plaster. Larger gaps require firestop sealant applied to opening spanning entire drywall depth

"over stud" installation

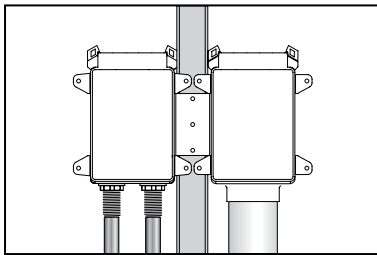


FIGURE 3

"separate stud bay" installation

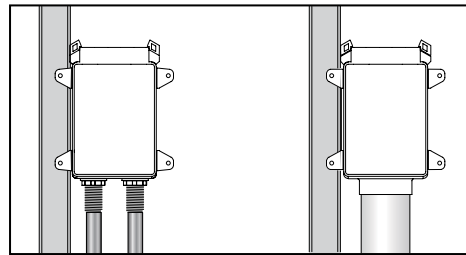


FIGURE 4

FIGURE 1

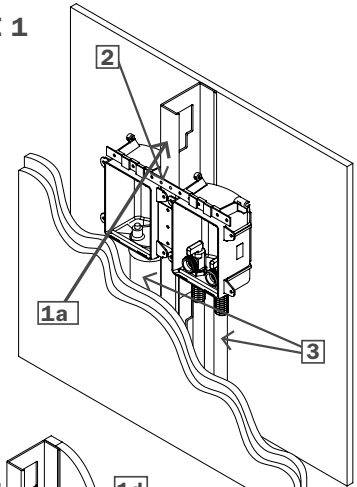
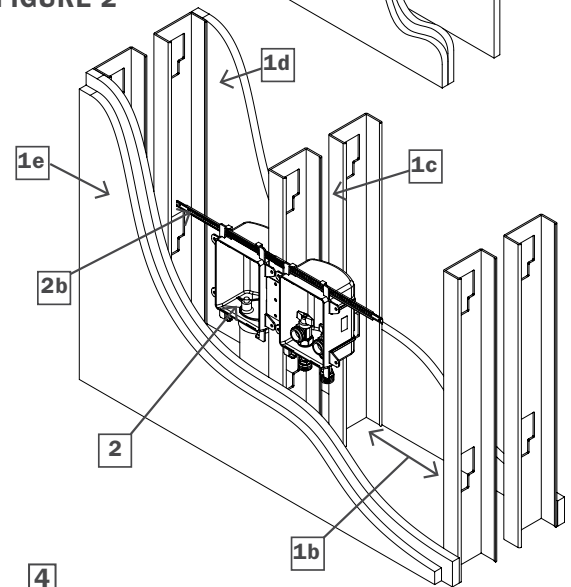
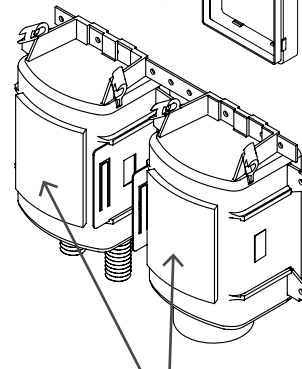
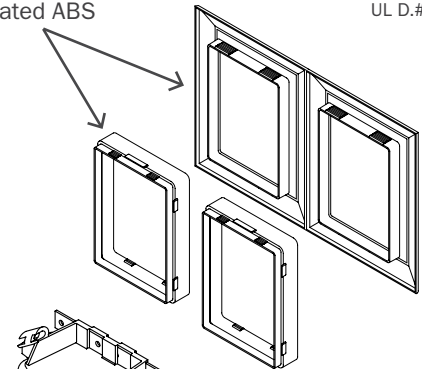


FIGURE 2



4 Fire-rated ABS

UL D.#U341



Intumescent pads

THE FIRE-RATED OXBOX IS CERTIFIED BY INTERTEK/WARNOCK HERSEY TO THE FOLLOWING FIRE RATING STANDARDS:

ASTM E-814

2 hours (F), 1½" hours (T)
for 2-hour design
1 hour (F), 31 mins (T)
for 1-hour design

ASTM E119

CAN/ULC S115

2 hours (F), 1½" hours (T)
for 2-hour design
1 hour (F), 31 mins (T)
for 1-hour design

UL 1479

