

WASHING MACHINE OUTLET BOX

▶▶ 696 SERIES

OxBox™

SPECIFICATION

Sioux Chief 696 series OxBox™ outlet box shall be used where necessary in plumbing systems. Unit shall allow for mounting with supply lines from top or bottom, on-stud or between-studs. Supply and drain boxes can be connected using U-Clip (provided) or separated as desired. Unit shall include plated, ¼-turn valves with 3/4" MHT outlets. Valve outlets shall be provided with tamper-resistant test caps. Valve handles on arrester models can be operated together (single throw) or independently. Metal support bracket can be installed into top/bottom tracks of box. Drain box shall have a testable 5/8" nipple on drain cover. Designed in accordance with IAPMO PS 54-2021a.

MATERIALS

Valve body: Forged brass^{1,2}
Valve shank: Brass^{1,2} or CPVC with 304SS grip ring, brass nut, silicone seal
Box/Frame: ABS
Arrester body: 304SS barrel with brass¹ body
Arrester piston: Polypropylene with EPDM o-rings
Bracket/U-Clip: Galvanized steel

CERTIFICATIONS/APPROVALS

NSF-372 compliant¹, IAPMO listed box and valves, Arresters meet ASSE 1010, Valves meet ASME A112.18.1

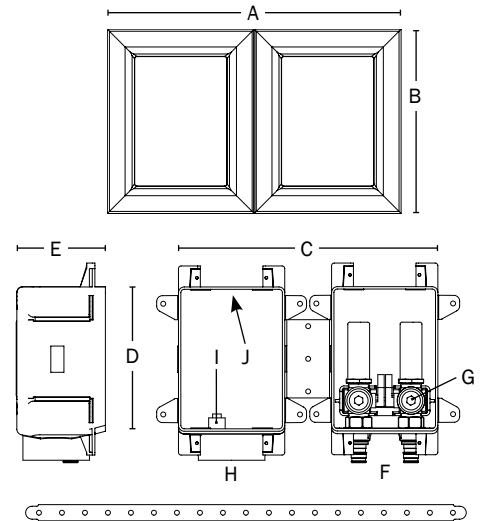
VALVE/ARRESTER WORKING LIMITS

Max Working Temperature: 200° F
Max Testing/Working Pressure: 150 PSIG

DIMENSIONS

| | |
|----------------------------|--|
| A: Frame width | 11-1/2" |
| B: Frame height | 7-1/4" |
| C: Box width | 4" (single) or 10" (double with clip) |
| D: Box height | 5-1/2" |
| E: Box depth | 3-1/2" |
| F: Supply inlet | 1/2" Nom. 2" O.C. |
| G: Supply outlet | 3/4" Male hose thread |
| H: Drain connection | 2" Sch. 40 hub |
| I: Test nipple | 5/8" O.D. |
| J: Knockout | For secondary drainage funnel ³ |
| Bracket length | 17" |

| | |
|------------------|-----------------|
| ITEM # SUBMITTED | _____ |
| JOB NAME | _____ |
| LOCATION | _____ |
| ENGINEER | _____ |
| CONTRACTOR | _____ |
| PO# | _____ TAG _____ |



Create Item Number

696A B C D

e.g. **696-G2313XF:** Washing machine outlet box with frame; no-lead valves with arresters, F1807 connection

VALVE MATERIAL A

– = Standard brass²
G = No-lead brass¹

ARRESTERS B

2303 = No arresters
2313 = With arresters

SUPPLY CONNECTION C

C = CPVC (male)
E = Everloc+
M = MIP/FSWT
P = MSWT/Press/Push
V = F3347 PEX
W = F1960 PEX
X = F1807 PEX

FRAME OPTION D

F = Standard Pack: Supply and drain box, frame, bracket, and debris cover
R = Rough-in Pack: Supply and drain box, bracket, and debris cover

Accessories - Available Separately:

696-1F: Single-box frame
 696-2F: Double-box frame
 696-EX: Frame extension (fits single box)
 696-CF: Secondary drainage funnel³

¹ C69300 material is DZR and SCC resistant, compliant with NSF-61 & 372, and compliant with California No Lead Plumbing Law
² C37700 and C36000 material | ³ Secondary drainage funnel (696-CF) accepts 1/2", 3/4", or 1" CTS

