

THERMOSTATIC MIXING VALVE

696 SERIES

SPECIFICATION

Sioux Chief 696 Series thermostatic mixing valve shall be used in plumbing systems to provide safe/tempered water temperatures at the lavatory or other fixture. Mixing valve shall allow control of both hot and cold incoming lines and deliver either a single, mixed/tempered line out, or both a mixed/tempered line and a cold (bypass) line out to the fixture. Unit shall include tamper-resistant, 1/4-turn shut-offs with key to allow isolation of mixing valve for replacement. Valve shall incorporate integral, replaceable check valves and stainless steel 60 mesh screens to protect from sediment/debris. Valve shall be mounted in a recessed access box with finish frame (available separately) for aesthetic appearance. Valve connections shall conform to appropriate standards including ASTM fitting end specifications. Listed to ASSE 1070, ASME A112.1070 and CSA B125.70

MATERIALS

Mixing Valve Body: No Lead brass¹, Stainless steel springs, EPDM o-rings, Stainless steel debris screens, Nylon test cap, No Lead brass¹ bypass cap
In-line Isolation Valves: No Lead brass¹, PTFE seats, EPDM gasket
Valve Connection Shank: No Lead brass¹/copper/PPSU/CPVC, 304 SS grip ring
Access Box/Mounting Base : ABS

FLOW RATE

Min: 0.25 GPM
 Max: 4.0 GPM

OPERATING PRESSURE

Min: 30 PSI | Max: 125 PSI
 Max Test Pressure: 150 PSI

INLET TEMPERATURE

Cold Inlet: 39°F - 85°F
 Hot Inlet: 120°F - 180°F

OPERATION

Valve maintains and limits hot water to a selectable temperature between 80°F and 120°F. Valve is factory preset to deliver a maximum 'mixed' water temperature of 105°F. The water temperature can be adjusted by the installer; however, a maximum temperature of 105°F is recommended.

- Higher temperatures may result in scalding, serious bodily harm and/or death.
- Carefully read and follow all instructions for installation and maintenance.
- Do Not use pipe dope on female swivel threads.

DIMENSIONS

A: Frame ² width	5-3/4"	E: Access box height	5-1/2"
B: Frame ² height	7-1/4"	F: Supply connections	1/2" Nom. 2" O.C.
C: Access box width	4"	G: Outlet connections	3/8" compression
D: Access box depth	3-1/2"	H: Cold bypass conn.	3/8" compression

¹ Material is C69300 and C46500. Brass is dezincification and SCC resistant, and is compliant with NSF-61 Annex G and California No Lead Plumbing Law

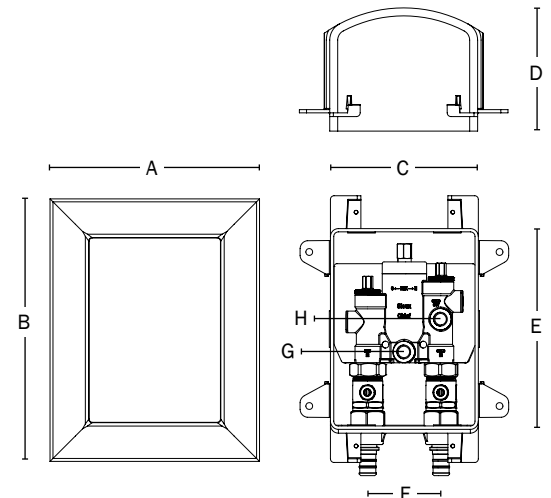
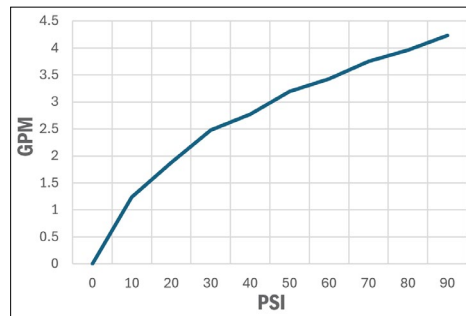
² Finish frame (696-1F) available separately

ITEM # SUBMITTED	_____
JOB NAME	_____
LOCATION	_____
ENGINEER	_____
CONTRACTOR	_____
PO#	_____ TAG _____



696-T2001XR

FLOW CAPACITY



Create Item Number

696-A

e.g. **696-T2001XR:** Thermostatic mixing valve with F1807 PEX connection and ABS mounting/access box

VALVE OUTLET CONNECTION A

T2001CR = 1/2" Male CPVC	T2001PR = 1/2" MSWT/Press/Push
T2001WR = 1/2" F1960 PEX	T2001XR = 1/2" F1807 PEX

Accessories - Available Separately:

- 696-BC: Box clip for stud mount
- 696-1F: Finish frame only
- 696-EX: Finish frame extension
- 525-6917: Mounting bracket (for mounting between studs)