



FIRE-RATED COMPACT WASHING MACHINE OUTLET BOX

696R SERIES

OxBox™

SPECIFICATION

Sioux Chief 696 series OxBox™ fire-rated outlet box shall be used where necessary in plumbing systems. Unit shall allow for mounting on-stud or between studs, and include plated, 1/4-turn valves with 3/4" MHT outlets. Valve outlets shall be provided with tamper-resistant test caps. Valve handles on arrester models can be operated together (single throw) or independently. Metal support bracket can be installed into top/bottom tracks of box. Drain box shall have a testable 5/8" nipple on drain cover. Designed in accordance with IAPMO PS 54-2021a.

MATERIALS

Valve body: Forged brass¹

Valve shank: Brass¹ or CPVC with 304SS grip ring, brass nut, silicone seal

Outlet box: ABS

Box frame: Fire-rated ABS

Frame extension: Fire-rated ABS²

Arrester body: 304SS barrel with brass¹ body

Arrester piston: Polypropylene with EPDM o-rings

Fire guard: intumescent material

CERTIFICATIONS/APPROVALS

NSF-372 compliant¹, IAPMO listed box and valves, Arresters meet ASSE 1010, Valves meet ASME A112.18.1 Listed by Warnock Hersey (see back side) System design number: SC/WA120, W/N 14409

VALVE/ARRESTER WORKING LIMITS

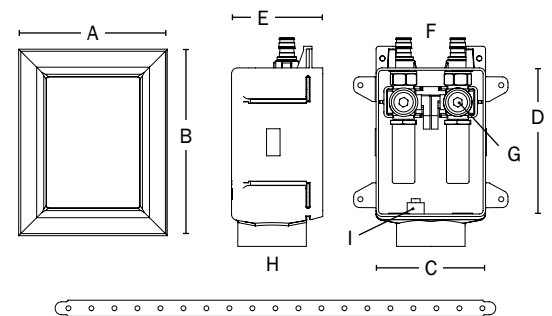
Max Working Temperature: 200° F

Max Testing/Working Pressure: 150 PSIG

DIMENSIONS

A: Frame width	5-7/8"
B: Frame height	7-1/4"
C: Box width	4"
D: Box height	5-1/2"
E: Box depth	3-1/2"
F: Supply inlet	1/2" Nom. 2" O.C.
G: Supply outlet	3/4" Male hose thread
H: Drain connection	2" Sch. 40 hub
I: Test nipple	5/8" O.D.
Bracket length	17"

ITEM # SUBMITTED	_____
JOB NAME	_____
LOCATION	_____
ENGINEER	_____
CONTRACTOR	_____
PO#	_____ TAG _____



Create Item Number

696AB

e.g. **696RG2303WF**: Fire-rated compact washing machine outlet box with frame; no-lead valves, F1960 connection

ARRESTERS A
RG2403 = No arresters
RG2413 = With arresters

SUPPLY CONNECTION B
CF = CPVC (male)
WF = F1960 PEX

Accessories - Available Separately:
696-EX: Frame extension²

¹ C69300 material is DZR and SCC resistant, compliant with NSF-61 & 372, and compliant with California No Lead Plumbing Law
² 696-EX frame extension available separately. Use with 2 layers of drywall for 2-hour specifications

FIRE-RATED OXBOX

DESIGN SPECIFICATION

1. WALL CONSTRUCTION

- a. Wood or metal stud construction, max 100 in.² of penetrations per 100 ft² of wall.
- b. 16" or 24" on-center stud construction.
- c. Can be installed with a gap between front and back wall assemblies (UL Design # U341) (Figure 2).
- d. Single-layer 5/8" gypsum construction with 1-hour fire rating.
- e. Double-layer 5/8" gypsum construction with 2-hour fire rating.
- Frame extensions can be used.
- f. Boxes cannot be installed back-to-back.

2. PIPE/BOX SUPPORT

- a. Each outlet box shall be installed in a separate stud bay and attached to the stud (Figure 3 & 4). Fire rating does not apply to installations of two or more boxes in the same stud bay.
- b. Supplied support bar.
- c. Supply lines to be installed using ordinary methods.
- d. Drain line to be supported using ordinary methods.

3. PIPE MATERIAL

- a. 2" or larger metallic, PVC, or ABS DWV pipe.
- b. Metallic or plastic water supply pipe.

4. FIRESTOP DEVICE

Sioux Chief fire-rated OxBox uses fire-rated resin. Boxes have 4" x 4" intumescent adhesive pads factory installed on the back of boxes.

NOTE: Gaps up to 1/2" around box can be sealed with drywall plaster. Larger gaps require firestop sealant applied to opening spanning entire drywall depth

FIGURE 1

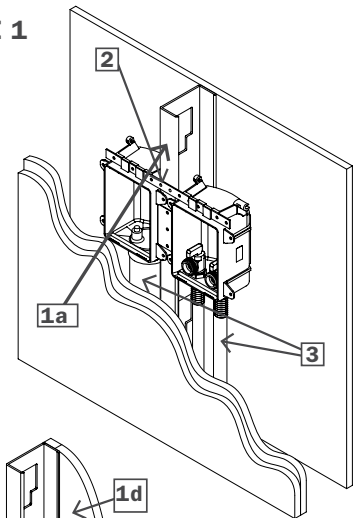
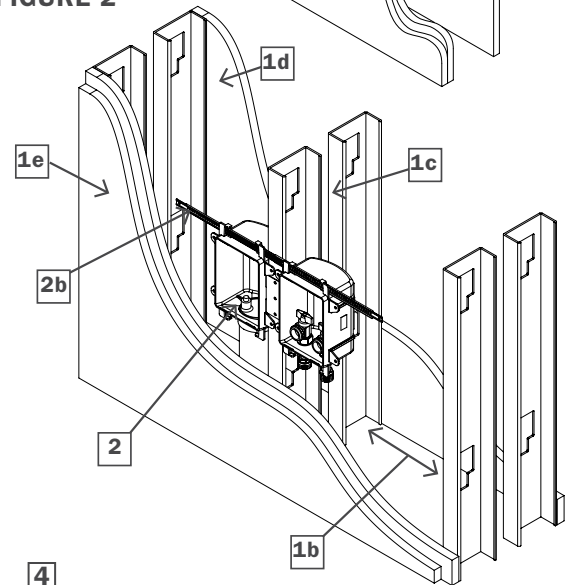


FIGURE 2



"over stud" installation

"separate stud bay" installation

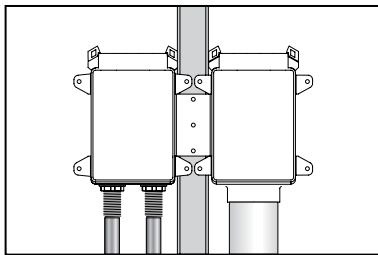


FIGURE 3

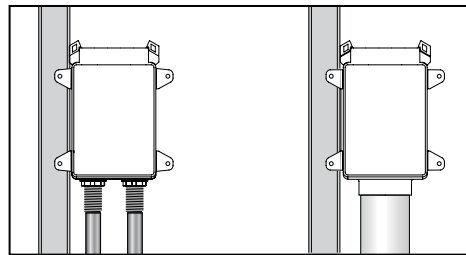
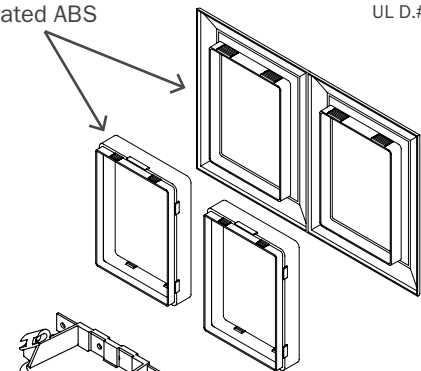


FIGURE 4

4 Fire-rated ABS

UL D.#U341



Intumescent pads

THE FIRE-RATED OXBOX IS CERTIFIED BY INTERTEK/WARNOCK HERSEY TO THE FOLLOWING FIRE RATING STANDARDS:

ASTM E-814

2 hours (F), 90 mins (T)
for 2-hour design
1 hour (F), 31 mins (T)
for 1-hour design

ASTM E119

CAN/ULC S115

2 hours (F), 90 mins (T)
for 2-hour design
1 hour (F), 31 mins (T)
for 1-hour design

UL 1479



SCM SPEC ID
23320