

WATER SOFTENER ACCESS BOX with INLET/OUTLET & DISCHARGE LINE

▶▶ 687 SERIES

ServiceBox™

SPECIFICATION

Sioux Chief 687 Series water softener access box shall be used where accessible inlet/outlet and discharge line connection for water softeners is required. Access box shall include two 3/4" or 1" MIP elbows with brass caps for inlet/outlet connection and one 1/2" MIP elbow with brass cap for discharge line connection. Elbows shall include threaded brass caps for pressure test. Elbow connections shall comply with ASTM standards.

INSTALLATION

See www.siouxchief.com for full installation instructions. Install in a location that allows for operation, service, maintenance, etc. Make all connections per ASTM standards with compliant materials and processes. Test with water and inspect all connections for leaks before use.

MATERIALS

Elbows: No-lead brass¹
Test caps: No-lead brass¹ with EPDM seal
MainBlock tube anchors: ABS
Access box: Fire-rated ABS

CERTIFICATIONS/APPROVALS

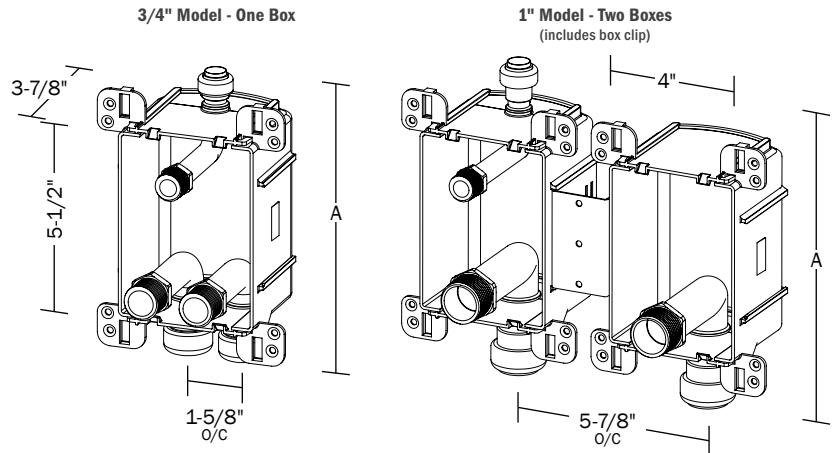
Ⓜ Tested/Certified/Approved for use in fire-rated applications - See back for ratings
 IAPMO Listed, Complies with ANSI/NSF 372, Meets ASME A112.18.1
 • End connections are manufactured to specifications called out in their respective ASTM standards.
 • Standards for Fittings and tube options include: CPVC D2846, PEX tube F876/F877, PEX fittings ASTM F1807 & F1960, PERT tube ASTM 2769, PE tube ASTM D2737, PVC pipe ASTM D1785, CTS push fittings (ASSE 1061) compatible with CTS tube, IPS push fittings compatible with IPS pipe

DIMENSIONS

A: Overall height	CPVC Socket	Push (CTS)	PEX F1960	PEX F1807
3/4" Nom	8-1/2"	8-5/8"	8-1/2"	9-1/8"
1" Nom	-	9-3/8"	9"	9-1/8"



687-332QB



Create Item Number

687-AB

e.g. **687-332QB:** Access box with 3/4" MIP inlet/outlet elbows and 1/2" MIP elbow discharge line - Push connection

CONNECTION SIZE A

332 = Two 3/4" MIP inlet/outlet elbows with one 1/2" MIP elbow discharge line
442 = Two 1" MIP inlet/outlet elbows with one 1/2" MIP elbow discharge line

CONNECTION TYPE B

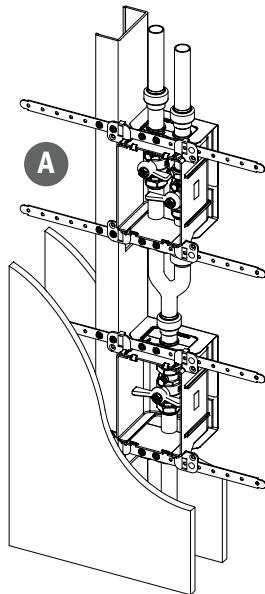
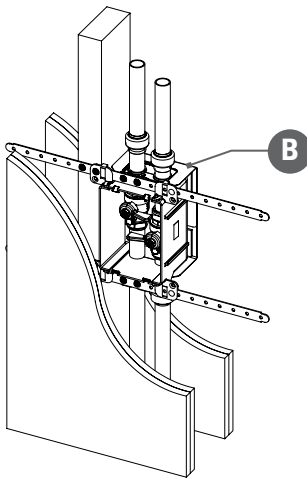
CB = CPVC Socket² **QB** = Push Socket (CTS)
WB = PEX F1960 Expansion **XB** = PEX F1807 Crimp

Accessories - Available Separately:
 687-1F: Finish frame - fits all ServiceBox access boxes
 696-EX: Frame extension - for multiple layers of drywall

1 Material is C693 on PEX F1807/F1960, and C46500 on Push/CPVC socket connections. Materials are dezincification and SCC resistant, and compliant with NSF-61 Annex G (California No Lead Plumbing Law)
 2 Available in 3/4" Nom only

1 Box

2 Boxes
Stacked



ASTM E814

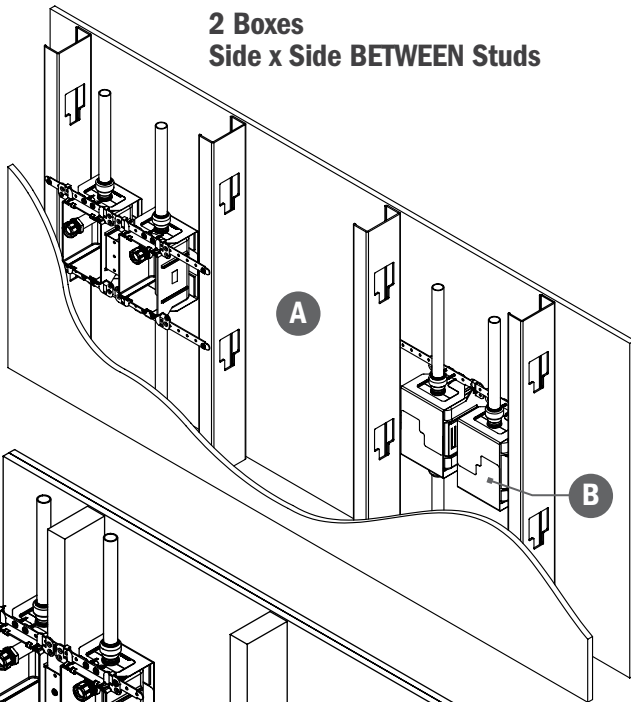
1 Hr Walls:
 F: 60 min
 T: 34.5 min
 H: ✓

2 Hr Walls:
 F: 120 min
 T: 58.5 min
 H: ✓

1 Hr = 1 layer 5/8" each face | 2 Hr = 2 layers 5/8" each face
 Wood or Steel Studs | No back-to-back installations

- A** NO penetrations in adjacent stud cavity
- B** Interlocked metal fire-shield with intumescent pad must be installed on all boxes in fire-rated walls

2 Boxes
Side x Side BETWEEN Studs



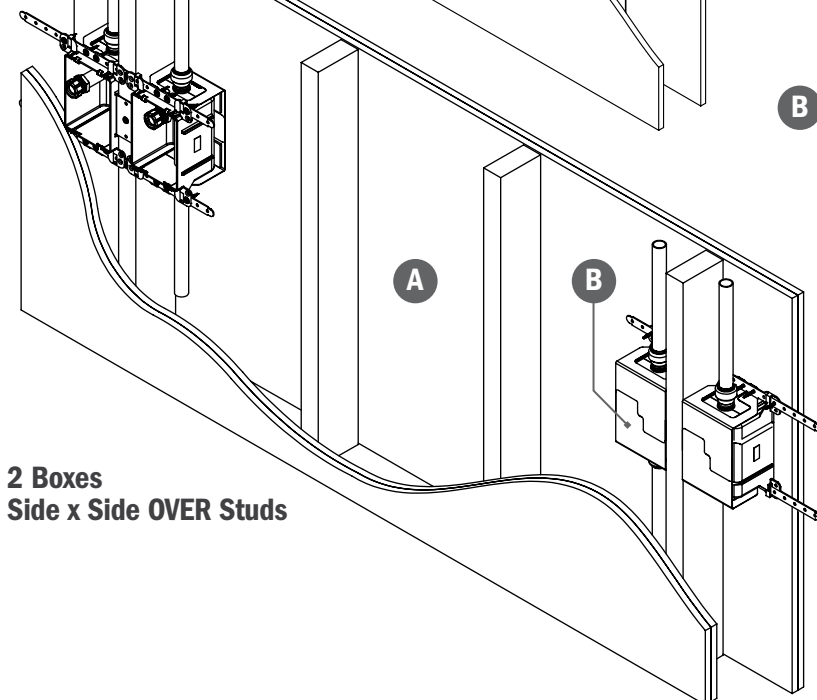
ASTM E814

1 Hr Walls:
 F: 60 min
 T: 27.5 min
 H: ✓

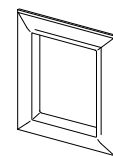
2 Hr Walls:
 F: 120 min
 T: 60 min
 H: ✓

1 Hr = 1 layer 5/8" each face | 2 Hr = 2 layers 5/8" each face
 Wood or Steel Studs | No back-to-back installations

- A** NO penetrations in adjacent stud cavity
- B** Interlocked metal fire-shield with intumescent pad must be installed on all boxes in fire-rated walls



2 Boxes
Side x Side OVER Studs



No. 687-1F

Frames sold separately

