

WATER HEATER ACCESS BOX FLOW-THROUGH DESIGN

»» 687 SERIES

ServiceBox™

SPECIFICATION

Sioux Chief 687 Series water heater access box shall be used where accessible, valved connection for water heaters is required. Two-box design shall include one box for cold-side MIP outlet with ball valve and flow-through bypass behind the valve; and second box for hot-side MIP elbow inlet with test cap. Ball valve shall be replaceable, 600 WOG with T-handle and quarter-turn operation. Elbow and tailpiece connections shall comply with ASTM standards.

INSTALLATION

See www.siouxchief.com for full installation instructions. Install in a location that allows for operation, service, maintenance, etc. Make all connections per ASTM standards with compliant materials and processes. Test with water and inspect all connections for leaks before use.

MATERIALS

Valve body: No-lead brass²
Tailpiece/Elbow: No-lead brass¹
Valve handle: Anodized aluminum
Test cap: Nylon (hot-side)
FIP swivel gaskets: EPDM
MainBlock tube anchors: ABS
Access box: Fire-rated ABS

CERTIFICATIONS/APPROVALS

• Tested/Certified/Approved for use in fire-rated applications – See back for ratings
 IAPMO Listed, Complies with ANSI/NSF 372, Meets ASME A112.18.1 and ASME A112.4.14
 • End connections are manufactured to specifications called out in their respective ASTM standards.
 • Standards for Fittings and tube options include: CPVC D2846, PEX tube F876/F877, PEX fittings ASTM F1807 & F1960, PERT tube ASTM 2769, PE tube ASTM D2737, PVC pipe ASTM D1785, CTS push fittings (ASSE 1061) compatible with CTS tube, IPS push fittings compatible with IPS pipe

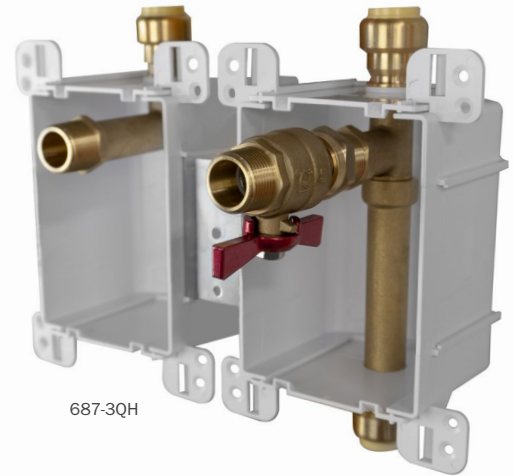
VALVE MAX PRESSURE

600 psig WOG

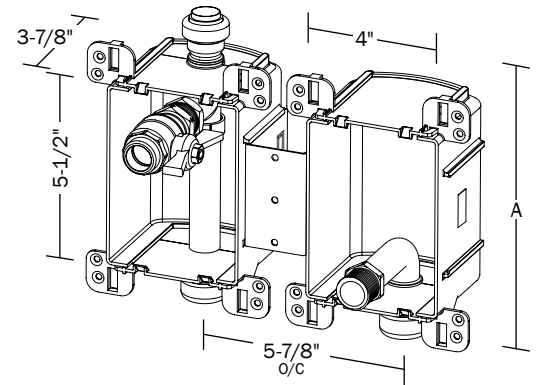
DIMENSIONS

A: Overall height	CPVC Socket	MSWT/Press/Push	Push (CTS)	PEX F1960	PEX F1807
3/4" Nom	8-5/8"	10"	8-5/8"	8-5/8"	9-3/8"

ITEM # SUBMITTED	_____
JOB NAME	_____
LOCATION	_____
ENGINEER	_____
CONTRACTOR	_____
PO#	_____ TAG _____



687-3QH



Create Item Number

687-A

e.g. **687-3QH:** Flow-through-style water heater access box with 600 WOG full-port ball valve - 3/4" CTS Push connection

CONNECTION SIZE/TYPE A

- 3CH** = 3/4" CPVC socket
- 3PH** = 3/4" MSWT/Press/Push
- 3QH** = 3/4" Push socket
- 3WH** = 3/4" PEX F1960 Expansion
- 3XH** = 3/4" PEX F1807 Crimp

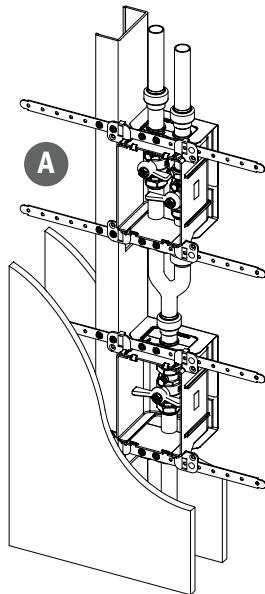
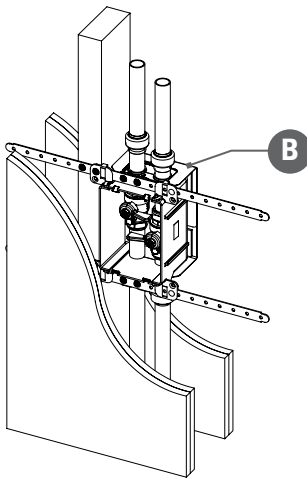
Accessories - Available Separately:

- 687-1F: Finish frame - fits all ServiceBox access boxes
- 696-EX: Frame extension - for multiple layers of drywall
- 648-3SM: 600 WOG Brass Ball Valve - 3/4" FIPS x 3/4" MIP
- 687-3SFMH: Cross Adapter - 3/4" FIP Swivel X 3/4" FIP X 3/4" MIP X 3/4" MHT w/ Cap
- 687-3SMFH: Cross Adapter - 3/4" FIP Swivel X 3/4" MIP X 3/4" FIP X 3/4" MHT w/ Cap
- 687-3SMMH: Cross Adapter - 3/4" FIP Swivel X 3/4" MIP X 3/4" MIP X 3/4" MHT w/ Cap
- 687-3SMKIT: Cross Adapter Kit - Includes 648-3SM / 687-3SMFH / 687-3SMMH
- 598-023: TankBracket™ Expansion tank support bracket

1 Tailpiece material is C693 on PEX F1807/F1960, and MSWT models, and is otherwise C46500. Materials are dezincification and SCC resistant, and compliant with NSF-61 Annex G (California No Lead Plumbing Law)
 2 Valve material is C69300. Dezincification and SCC resistant, and compliant with NSF-61 Annex G (California No Lead Plumbing Law)

1 Box

2 Boxes
Stacked



ASTM E814

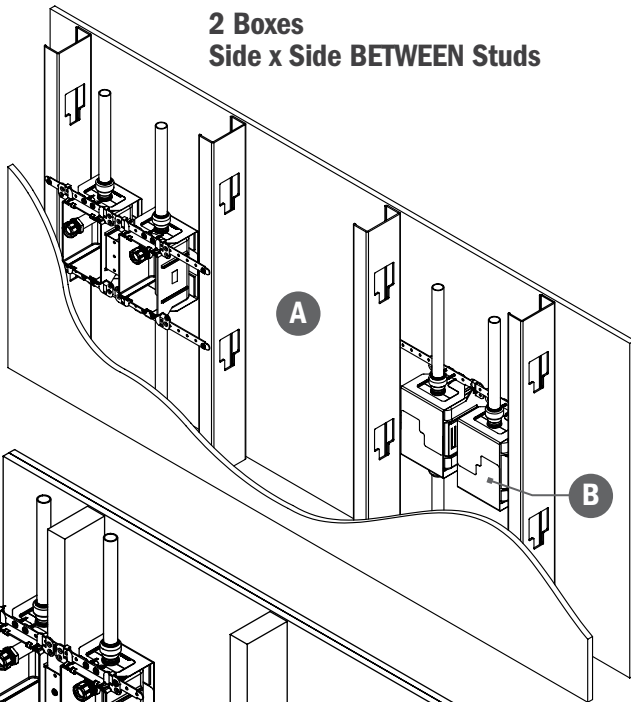
1 Hr Walls:
 F: 60 min
 T: 34.5 min
 H: ✓

2 Hr Walls:
 F: 120 min
 T: 58.5 min
 H: ✓

1 Hr = 1 layer 5/8" each face | 2 Hr = 2 layers 5/8" each face
 Wood or Steel Studs | No back-to-back installations

- A** NO penetrations in adjacent stud cavity
- B** Interlocked metal fire-shield with intumescent pad must be installed on all boxes in fire-rated walls

2 Boxes
Side x Side BETWEEN Studs



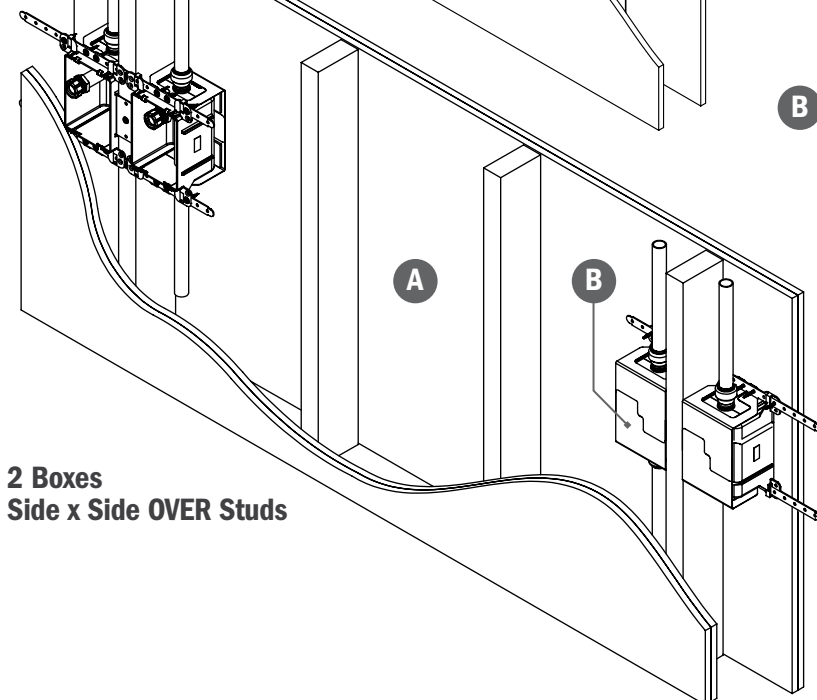
ASTM E814

1 Hr Walls:
 F: 60 min
 T: 27.5 min
 H: ✓

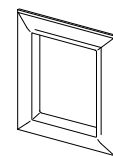
2 Hr Walls:
 F: 120 min
 T: 60 min
 H: ✓

1 Hr = 1 layer 5/8" each face | 2 Hr = 2 layers 5/8" each face
 Wood or Steel Studs | No back-to-back installations

- A** NO penetrations in adjacent stud cavity
- B** Interlocked metal fire-shield with intumescent pad must be installed on all boxes in fire-rated walls



2 Boxes
Side x Side OVER Studs



No. 687-1F

Frames sold separately

