

PRESSURE-REDUCING VALVE ACCESS BOX

▶▶ 687 SERIES

ServiceBox™

SPECIFICATION

Sioux Chief 687 Series pressure-reducing valve access box shall be used where accessible, pressure-reducing valves are required to reduce incoming water pressure to conserve water use and protect fixtures. Valve shall be fully adjustable and easily replaceable, with optional forward-facing drain port. Valve shall incorporate a union-style connection with brass tailpieces. Tailpiece connections shall comply with ASTM standards.

INSTALLATION

See www.siouxchief.com for full installation instructions. Product ships with PVC 'jumper' installed and valve boxed separately for later installation. Install in a location that allows for adjustment, service, maintenance, etc. Make all connections per ASTM standards with compliant materials and processes. Test with water and inspect all connections for leaks before use.

MATERIALS

Valve body: No-lead brass²

Tailpieces: No-lead brass⁴

Adjustment screw/locknut: Stainless steel

Black cover cap: Nylon

Union gaskets: LDPE

MainBlock tube anchors: ABS

Access box: Fire-rated ABS

CERTIFICATIONS/APPROVALS

☉ Tested/Certified/Approved for use in fire-rated applications – See back for ratings
IAPMO Listed, Complies with ANSI/NSF 372, ASSE 1003, Meets ASME A112.18.1

- End connections are manufactured to specifications called out in their respective ASTM standards.
- Standards for Fittings and tube options include: CPVC D2846, PEX tube F876/F877, PEX fittings ASTM F1807 & F1960, PERT tube ASTM 2769, PE tube ASTM D2737, PVC pipe ASTM D1785, CTS push fittings (ASSE 1061) compatible with CTS tube, IPS push fittings compatible with IPS pipe

VALVE PRESSURE PRESET: 60 PSIG

VALVE PRESSURE RANGE: 25 - 75 PSIG

VALVE MAX PRESSURE: 400 PSIG non-shock CWP

VALVE MAX TEMPERATURE: 180° F

FLOW CAPACITY

P Variation (fall off)	0 PSI	5 PSI	10 PSI	15 PSI	20 PSI	25 PSI
3/4" Nom	0 GPM	4.1 GPM	10.6 GPM	19.2 GPM	27.1 GPM	35.6 GPM
1" Nom	0 GPM	4.29 GPM	18.20 GPM	29.79 GPM	34.72 GPM	38.5 GPM

DIMENSIONS

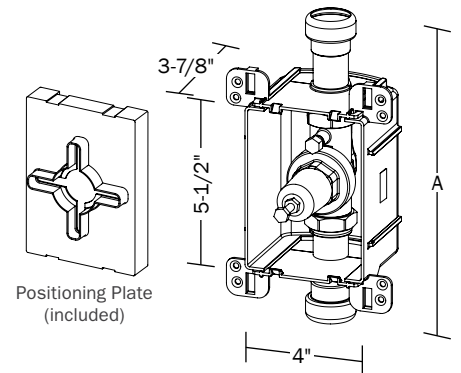
A: Overall height*	MSWT/Press/Push x Push Socket (CTS)	Push Socket (CTS)	PEX F1960	PEX F1807
3/4" Nom	10"	9-5/8"	9-3/4"	10-1/2"
1" Nom	10-3/8"	9-7/8"	10"	10-3/8"

* Add 3/8" to overall height for 1" models with port. Add 5/8" to overall height for 3/4" models with port.

ITEM # SUBMITTED	_____
JOB NAME	_____
LOCATION	_____
ENGINEER	_____
CONTRACTOR	_____
PO#	_____ TAG _____



Ships with PVC 'jumper' installed and valve included. Replace jumper with valve at finish



Create Item Number

687-AB

e.g. **687-3QD:** Access box and 600 WOG full-port ball valve with drain - 3/4" CTS Push x 3/4" CTS Push connection

CONNECTION SIZE **A**

3R = 3/4" Nom.

4R = 1" Nom.

CONNECTION TYPE & PORT³ OPTION **B**

PQ = MSWT x Push Socket (CTS)

QQ = Push Socket (CTS)

WW = PEX F1960 Expansion

XX = PEX F1807 Crimp

QQD = Push Socket (CTS) with Port³

WWD = PEX F1960 Expansion with Port³

XXD = PEX F1807 Crimp with Port³

Accessories - Available Separately:

687-1F: Finish frame - fits all ServiceBox access boxes

696-EX: Frame extension - for multiple layers of drywall

687-Y33: Wye splitter: 3/4" x 3/4" x 3/4"

687-Y43: Wye splitter: 1" x 3/4" x 3/4"

131-G0Y3HR101: 1/4" swivel comp. x MHT ball valve (for outlet port)

930-46101001: 1/4" swivel comp. x 1/4" FIP adapter (for outlet port)

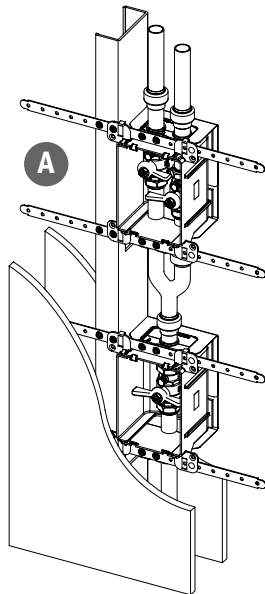
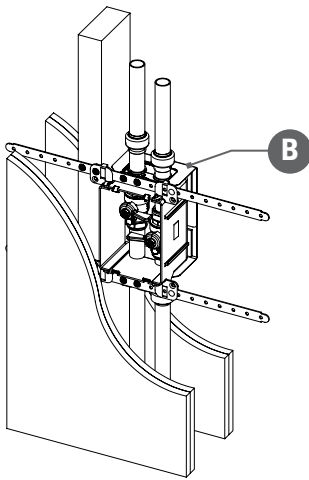
1 Tailpiece material is C693 on PEX F1807/F1960, and MSWT models, and is otherwise C46500. Materials are dezincification and SCC resistant, and compliant with NSF-61 Annex G (California No Lead Plumbing Law)

2 Valve material is C69300. Dezincification and SCC resistant, and compliant with NSF-61 Annex G (California No Lead Plumbing Law)

3 Outlet port is 1/4" male compression thread with brass cap and gasket

1 Box

2 Boxes
Stacked



ASTM E814

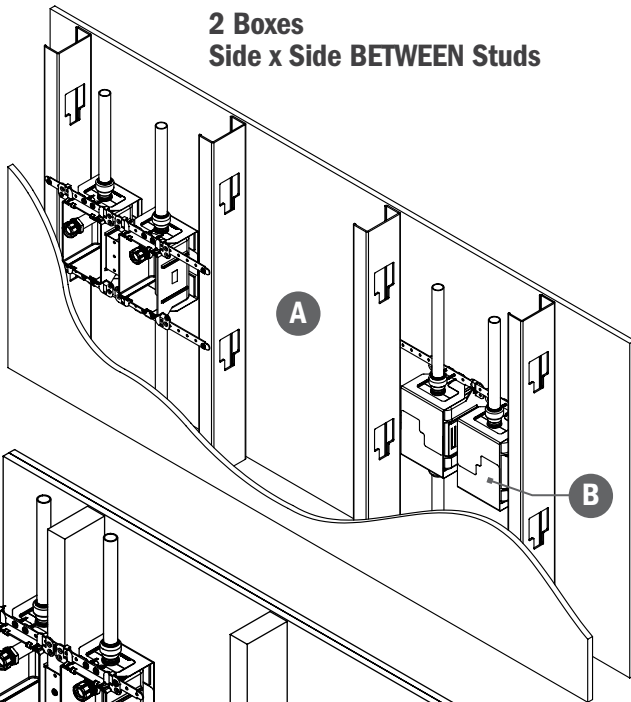
1 Hr Walls:
 F: 60 min
 T: 34.5 min
 H: ✓

2 Hr Walls:
 F: 120 min
 T: 58.5 min
 H: ✓

1 Hr = 1 layer 5/8" each face | 2 Hr = 2 layers 5/8" each face
 Wood or Steel Studs | No back-to-back installations

- A** NO penetrations in adjacent stud cavity
- B** Interlocked metal fire-shield with intumescent pad must be installed on all boxes in fire-rated walls

2 Boxes
Side x Side BETWEEN Studs



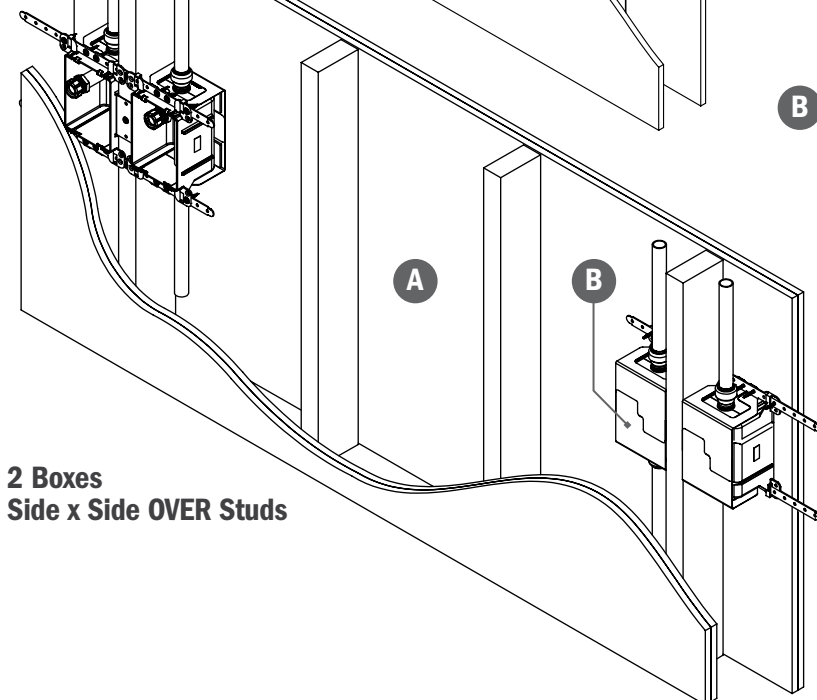
ASTM E814

1 Hr Walls:
 F: 60 min
 T: 27.5 min
 H: ✓

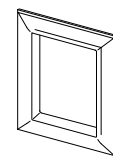
2 Hr Walls:
 F: 120 min
 T: 60 min
 H: ✓

1 Hr = 1 layer 5/8" each face | 2 Hr = 2 layers 5/8" each face
 Wood or Steel Studs | No back-to-back installations

- A** NO penetrations in adjacent stud cavity
- B** Interlocked metal fire-shield with intumescent pad must be installed on all boxes in fire-rated walls



2 Boxes
Side x Side OVER Studs



No. 687-1F

Frames sold separately

