

# BALL VALVE ACCESS BOX with DUAL VALVES

▶▶ 687 SERIES

ServiceBox™

## SPECIFICATION

Sioux Chief 687 Series access box with dual ball valves shall be used where accessible, full-port ball valves are required. Ball valves shall be replaceable, 600 WOG, with forward-facing drain port and quarter-turn operation. Valve shall incorporate a union-style connection with brass tailpieces. Tailpiece connections shall comply with ASTM standards.

## INSTALLATION

See [www.siouxchief.com](http://www.siouxchief.com) for full installation instructions. Install in a location that allows for operation, service, maintenance, etc. Make all connections per ASTM standards with compliant materials and processes. Test with water and inspect all connections for leaks before use.

## MATERIALS

**Valve body:** No-lead brass<sup>2</sup>  
**Tailpieces:** No-lead brass<sup>1</sup>  
**Valve handle:** Anodized aluminum  
**Union gaskets:** EPDM  
**MainBlock tube anchors:** ABS  
**Access box:** Fire-rated ABS

## CERTIFICATIONS/APPROVALS

☞ Tested/Certified/Approved for use in fire-rated applications - See back for ratings  
 IAPMO Listed, Complies with ANSI/NSF 372, Meets ASME A112.18.1 and ASME A112.4.14  
 • End connections are manufactured to specifications called out in their respective ASTM standards.  
 • Standards for Fittings and tube options include: CPVC D2846, PEX tube F876/F877, PEX fittings ASTM F1807 & F1960, PERT tube ASTM 2769, PE tube ASTM D2737, PVC pipe ASTM D1785, CTS push fittings (ASSE 1061) compatible with CTS tube, IPS push fittings compatible with IPS pipe

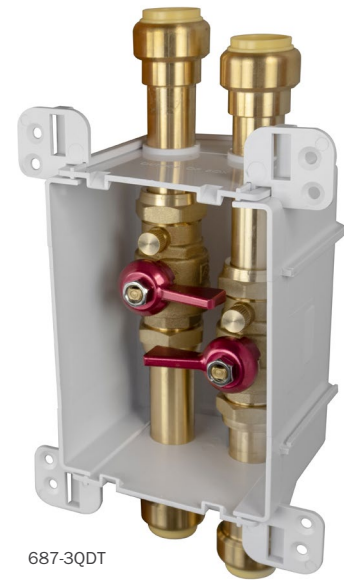
## VALVE MAX PRESSURE

600 psig WOG

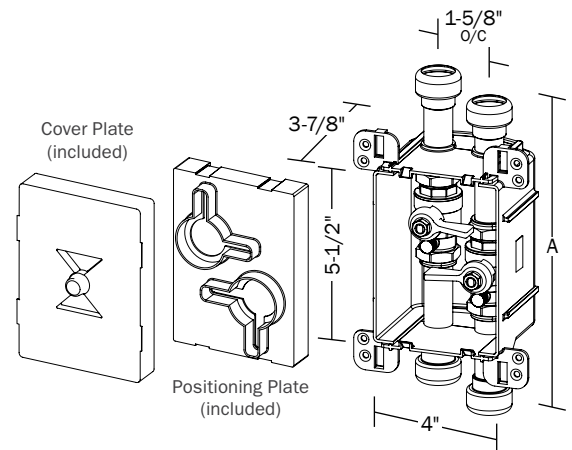
## DIMENSIONS

A: Overall height	Push (CTS)	PEX F1960	PEX F1807
1/2" Nom	9-3/4"	9-7/8"	10-5/8"
3/4" Nom	9-3/4"	9-7/8"	10-5/8"

ITEM # SUBMITTED	_____
JOB NAME	_____
LOCATION	_____
ENGINEER	_____
CONTRACTOR	_____
PO#	_____ TAG _____



687-3QDT



Create Item Number

**687-AB**

e.g. **687-3QDT**: Access box with dual, 600 WOG full-port ball valves with drain - 3/4" Push x 3/4" Push connection

### CONNECTION SIZE **A**

**2** = 1/2" Nom.  
**3** = 3/4" Nom.

### CONNECTION TYPE **B**

**QDT** = Push Socket (CTS)  
**WDT** = PEX F1960 Expansion  
**XDT** = PEX F1807 Crimp

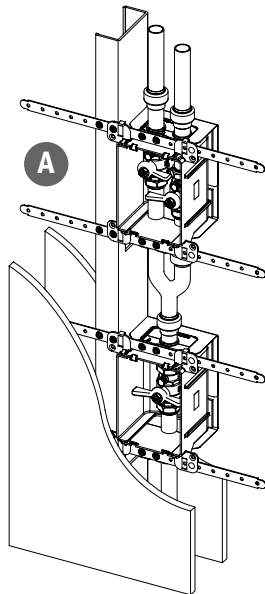
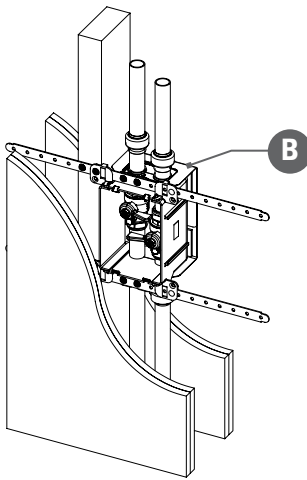
### Accessories - Available Separately:

687-1F: Finish frame - fits all ServiceBox access boxes  
 696-EX: Frame extension - for multiple layers of drywall  
 696-SC: Solid frame insert  
 687-Y33: Wye splitter: 3/4" x 3/4" x 3/4"  
 687-Y43: Wye splitter: 1" x 3/4" x 3/4"

1 Tailpiece material is C693 on PEX F1807/F1960, and C46500 on Push Socket connection. Materials are dezincification and SCC resistant, and compliant with NSF-61 Annex G (California No Lead Plumbing Law)  
 2 Valve material is C69300. Dezincification and SCC resistant, and compliant with NSF-61 Annex G (California No Lead Plumbing Law)

1 Box

2 Boxes  
Stacked



### ASTM E814

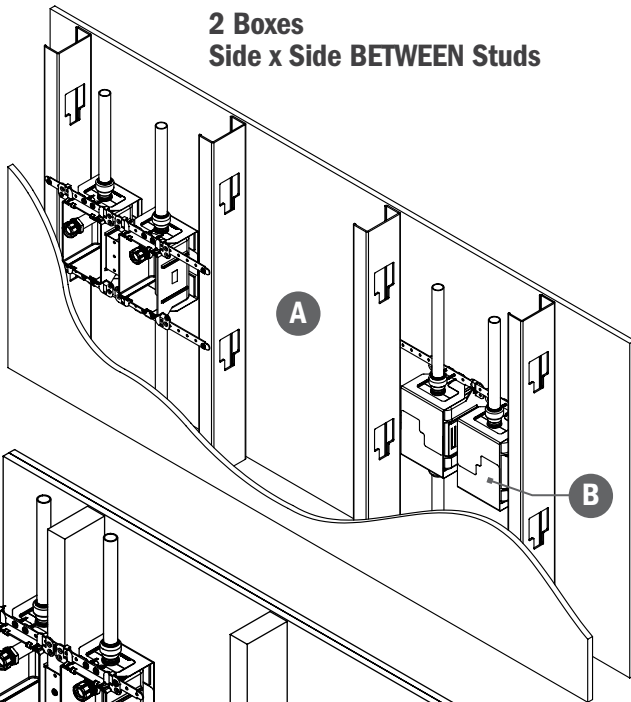
**1 Hr Walls:**  
 F: 60 min  
 T: 34.5 min  
 H: ✓

**2 Hr Walls:**  
 F: 120 min  
 T: 58.5 min  
 H: ✓

1 Hr = 1 layer 5/8" each face | 2 Hr = 2 layers 5/8" each face  
 Wood or Steel Studs | No back-to-back installations

- A** NO penetrations in adjacent stud cavity
- B** Interlocked metal fire-shield with intumescent pad must be installed on all boxes in fire-rated walls

2 Boxes  
Side x Side BETWEEN Studs



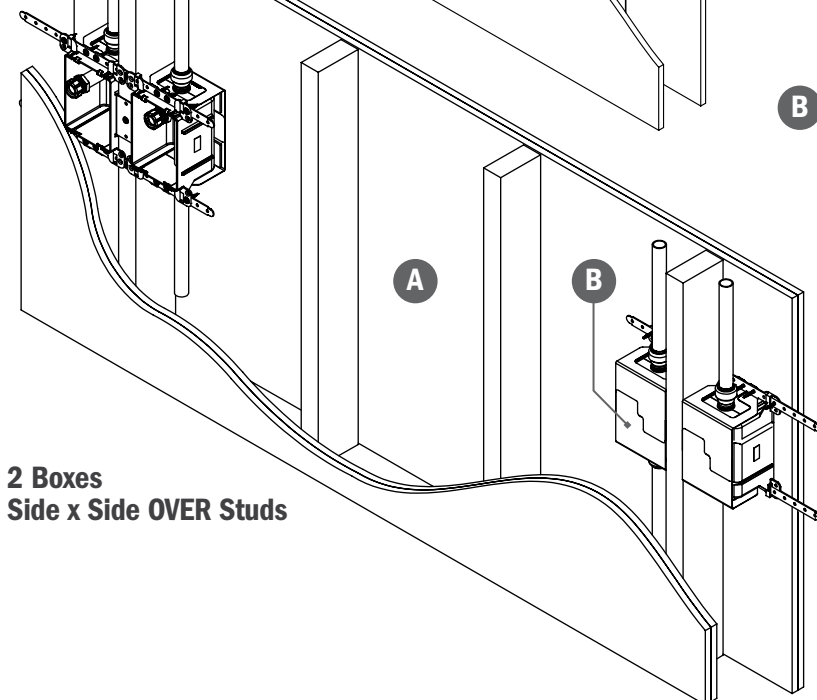
### ASTM E814

**1 Hr Walls:**  
 F: 60 min  
 T: 27.5 min  
 H: ✓

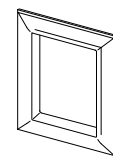
**2 Hr Walls:**  
 F: 120 min  
 T: 60 min  
 H: ✓

1 Hr = 1 layer 5/8" each face | 2 Hr = 2 layers 5/8" each face  
 Wood or Steel Studs | No back-to-back installations

- A** NO penetrations in adjacent stud cavity
- B** Interlocked metal fire-shield with intumescent pad must be installed on all boxes in fire-rated walls



2 Boxes  
Side x Side OVER Studs



No. 687-1F

Frames sold separately

