

PUSH GASKET CLOSET FLANGE

» 886 SERIES

PushTite™

SPECIFICATION

Sioux Chief 886 series PushTite closet flange shall be used where necessary in drainage systems. Flange shall include holes for securing to floor and optional notches or slots for attachment of closet bolts. Inner diameter of flange outlet shall be at least 3" and have smooth inner walls with no obstructions or ledges. Engineered elastomer sealing gasket shall provide 3 points of contact to ensure a positive seal inside 4" nominal DWV pipe.

MATERIALS

Flange Body: White or black ABS, cast iron

Gasket: chemical-resistant, engineered elastomer

INSTALLATION

Lubricate gasket before installation if necessary. Push into 4" drain pipe. Always fasten flange to floor. Use screws in both holes on each side of slots or notches that will hold closet bolts

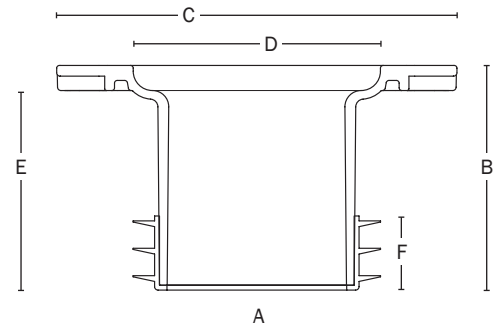
DIMENSIONS

A: Gasket seal	inside 4" DWV pipe
B: Overall Height	3 ⁷ / ₈ "
C: Flange diameter	7"
D: Flange opening dia.	4 ¹ / ₄ "
E: Tailpiece height	3 ¹ / ₂ "
F: Gasket height	1 ¹ / ₄ "

ITEM # SUBMITTED	_____
JOB NAME	_____
LOCATION	_____
ENGINEER	_____
CONTRACTOR	_____
PO#	_____ TAG _____



886-GP



Made in USA

Create Item Number

886-A

e.g. **886-GP:** White ABS PushTite closet flange for inside 4" DWV pipe

FLANGE BODY A

GA = Black ABS flange body

GP = White ABS flange body

Gi = Gray cast iron flange body