

ROOF DRAIN

» 868 SERIES

SPECIFICATION

Sioux Chief 868 series roof drain shall be used where necessary in drainage systems. Drain shall have U.V. resistant polyethylene, or epoxy-coated aluminum dome strainer, and epoxy-coated aluminum gravel guard/flashing clamp. Drain body shall have a cast iron No-Hub connection. Connection to drainage system shall be made with No-Hub coupling to cast iron pipe. Designed in accordance with ASME A112.6.4-2003

MATERIALS

Dome strainer: polyethylene, epoxy-coated aluminum

Gravel guard/flashing clamp: epoxy-coated aluminum

Drain body: enamel-coated cast iron

STRAINER FREE AREA

49.65 in²

CONNECTION TYPE

Cast iron No-Hub

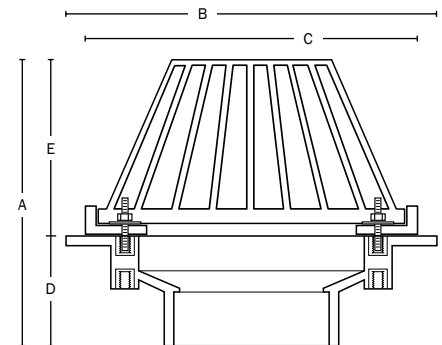
DIMENSIONS

A: overall height	8½"
B: overall diameter	10⅜"
C: collar/clamp diameter	10¼"
D: body height	3½"
E: elevation	5¼"

ITEM # SUBMITTED	_____
JOB NAME	_____
LOCATION	_____
ENGINEER	_____
CONTRACTOR	_____
PO#	_____ TAG _____



868-i4M



Create Item Number

868-AB

e.g. **868-i4MUS**: Roof drain with 4" cast iron No-Hub connection, aluminum dome strainer, underdeck clamp kit, and sump receiver

CONNECTION SIZE **A**

- i3** = 3" No-Hub
- i4** = 4" No-Hub
- i6** = 6" No-Hub

OPTIONS **B**

- M** = epoxy-coated aluminum dome strainer¹
- V** = vandal-resistant dome screws
- W** = 2⅜" external water dam
- P** = screen-wrap for dome strainer
- STP2** = 2" internal stand-pipe
- U** = underdeck clamp kit
- E** = extension collar kit
- S** = 16" diameter sump receiver

ACCESSORIES

- 868-MC** = Epoxy-coated aluminum gravel guard/flashing clamp
- 868-WD** = Epoxy-coated aluminum 2⅜" external water dam
- 868-C** = Underdeck clamp kit
- 868-E** = Extension collar kit
- 868-S** = Sump receiver

¹Poly dome strainer is standard unless otherwise specified