

# ROOF DRAIN WITH FIXED WEIR

## 868 SERIES

### SPECIFICATION

Sioux Chief 868 Series 10" diameter fixed weir roof drain with No-Hub connection. Coated cast iron body with combination membrane flashing clamp/gravel guard and vandal-resistant, cast iron dome strainer. Designed in accordance with ASME A112.6.4

Used on any type of flat roofs. Cast iron dome prevents debris from entering the drain line. The anchor flange and membrane clamp provide a secure grip of membrane and roof flashing materials. Weir opening allows for a fixed flow rate.

### MATERIALS

**Dome strainer:** cast iron

**Internal Weir:** cast iron

**Gravel guard:** cast iron

**Drain body:** cast iron

### FLOW RATE

Weir opening allows 5 GPM per inch of head (water depth)

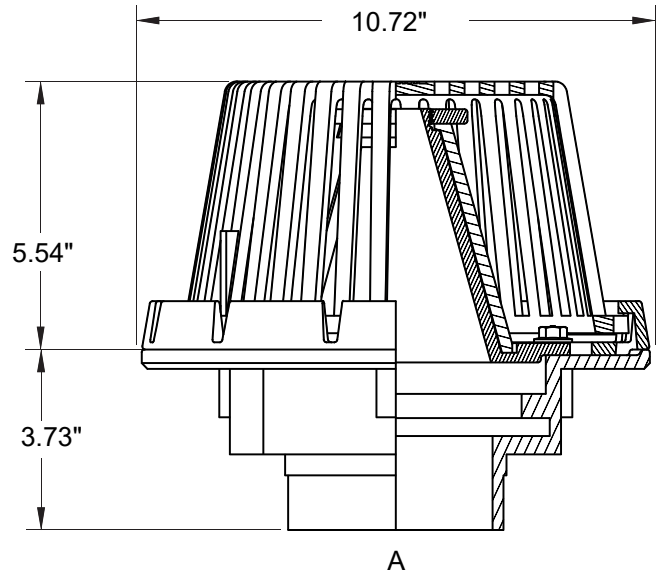
### DIMENSIONS

**A:** Connection - No-Hub      3"      4"

### STRAINER FREE-AREA

77.2 in<sup>2</sup>

ITEM # SUBMITTED	_____
JOB NAME	_____
LOCATION	_____
ENGINEER	_____
CONTRACTOR	_____
PO#	_____ TAG _____



Create Item Number

## 868-AB

e.g. **868-M123P:** Fixed weir roof drain with 3" No-Hub connection and top-mount sump receiver

### CONNECTION A

**M123** = 3" No-Hub

**M124** = 4" No-Hub

### OPTIONS B

**P** = Top-mount sump receiver<sup>1</sup>

**S** = Sump receiver

<sup>1</sup> Includes sump receiver plate and drain-to-plate attachment hardware