

COMBINATION ROOF DRAIN & OVERFLOW

» 868 SERIES

SPECIFICATION

Sioux Chief 868 Series 8" diameter combination roof drain and overflow fixture, coated cast iron bodies with combination membrane flashing clamp/gravel guards, integral sump receiver and vandal-resistant, aluminum dome strainers.

Designed in accordance with ASME A112.6.4

Used on any type of flat roofs where an overflow drain is required to be located next to the primary roof drain. Dome strainers prevent debris from entering the drainage pipe. Anchor flange and membrane clamp provide a secure grip of membrane and roof flashing materials.

MATERIALS

Dome strainer: aluminum
Gravel guard: cast iron
Drain body: cast iron
Sump receiver: painted steel

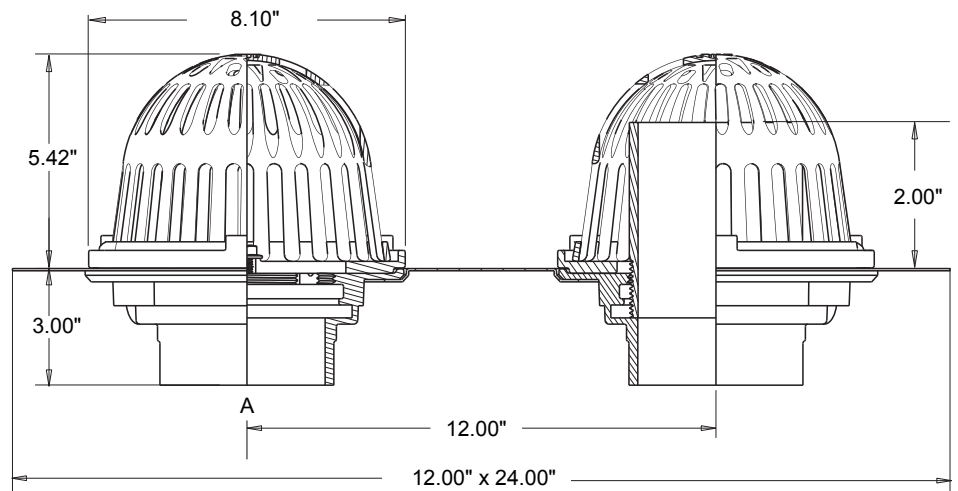
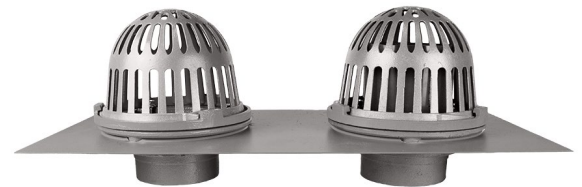
DIMENSIONS

A: Connection - No-Hub 2" 3" 4"

STRAINER FREE-AREA

38.9 in²

ITEM # SUBMITTED	_____
JOB NAME	_____
LOCATION	_____
ENGINEER	_____
CONTRACTOR	_____
PO#	_____ TAG _____



Create Item Number

868-AB

e.g. **868-D823T**: Roof drain and overflow fixture with 3" No-Hub connection, and top mount hardware kit

CONNECTION A
D822 = 2" No-Hub
D823 = 3" No-Hub
D824 = 4" No-Hub

OPTIONS B
9 = Side-outlet connections
T = Top mount hardware kits
C = Underdeck clamp kits
P = SS Mesh dome covers