

COMBINATION ROOF DRAIN & OVERFLOW

868 SERIES

SPECIFICATION

Sioux Chief 868 Series 15" diameter roof drain with No-Hub connection. Coated cast iron bodies with vandal-resistant, low profile dome strainer, combination flashing clamp and gravel stop for main drain and combination flashing clamp and internal water dam for overflow drain. Includes sump receiver plate and drain-to-plate mounting hardware. Designed in accordance with ASME A112.6.4

For use on flat roofs where an emergency overflow drain can be used in combination with a standard roof drain. Sump receiver allows drains to be secured to the roof deck from the top surface of the roof.

MATERIALS

Dome strainer: cast iron, ABS, aluminum

Gravel guard: cast iron

Drain body: cast iron

Sump receiver: coated steel -

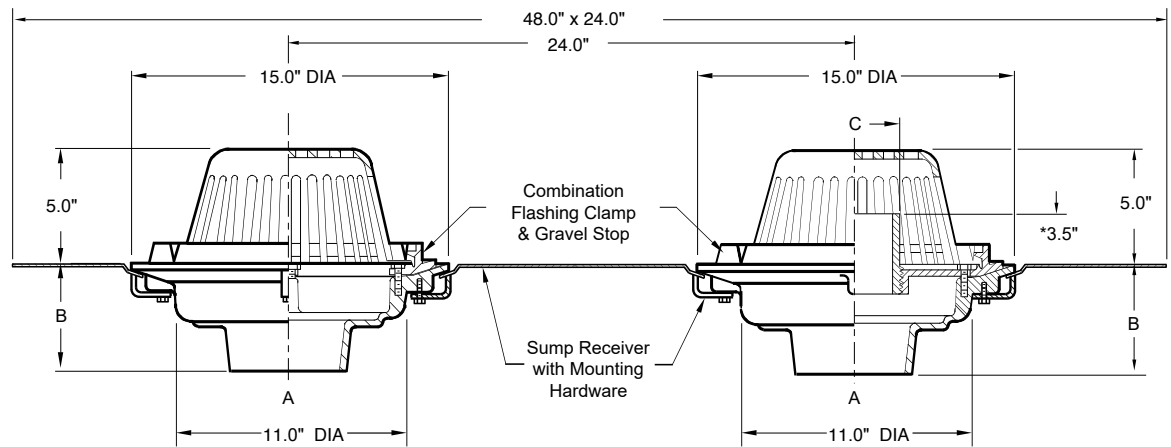
DIMENSIONS

A: Connection - No-Hub	3"	4"	6"	8"
B: Body height	4.60"	4.60"	5.25"	5.25"
C: Standpipe diameter	4"	4"	6"	6"

STRAINER FREE-AREA

105.3 in²

ITEM # SUBMITTED	_____
JOB NAME	_____
LOCATION	_____
ENGINEER	_____
CONTRACTOR	_____
PO#	_____ TAG _____



* Internal water dam can be cut/shortened by contractor as needed or per specifications

Create Item Number

868-ABC

e.g. **868-D523B:** Roof drain and overflow with 3" No-Hub connection and ABS dome

CONNECTION A

- D523 = 3" No-Hub
- D524 = 4" No-Hub
- D526 = 6" No-Hub
- D528 = 8" No-Hub

DOMESTRAINER B

- Cast iron dome is standard
- B = ABS dome
- A = Aluminum dome

OPTIONS C

- 2 = 2" high SS perf. extension
- 4 = 4" high SS perf. extension
- W = 2" high external water dam¹
- E = Adjustable extension
- G = 2" high SS perf. gravel guard

All options apply to both drain and overflow fixtures

¹ External water dam in place of internal standpipe on overflow fixture