

COMBINATION ROOF DRAIN & OVERFLOW

868 SERIES

SPECIFICATION

Sioux Chief 868 Series 15" diameter roof drain with No-Hub connection. Coated cast iron bodies with vandal-resistant, low profile dome strainer, combination flashing clamp and gravel stop for main drain and combination flashing clamp and internal water dam for overflow fixture. Designed in accordance with ASME A112.6.4

For use on flat roofs where an emergency overflow drain can be used in combination with a standard roof drain. Sump receiver allows drains to be secured to the roof deck from the top surface of the roof.

MATERIALS

Dome strainer: cast iron, ABS, aluminum
Gravel guard: cast iron
Drain body: cast iron
Sump receiver: coated steel

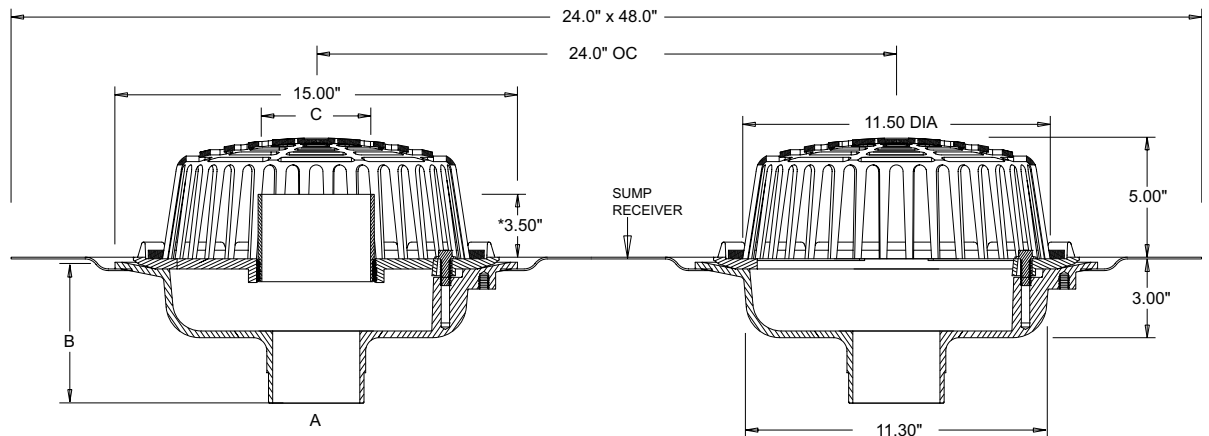
DIMENSIONS

A: Connection - No-Hub	3"	4"	6"	8"
B: Body height	4.60"	4.60"	5.25"	5.25"
C: Standpipe diameter	4"	4"	6"	6"

STRAINER FREE-AREA

105.3 in²

ITEM # SUBMITTED	_____
JOB NAME	_____
LOCATION	_____
ENGINEER	_____
CONTRACTOR	_____
PO#	_____ TAG _____



* Internal water dam can be cut/shortened by contractor as needed or per specifications

Create Item Number

868-ABC

e.g. **868-D523BP**: Roof drain and overflow with 3" No-Hub connection, ABS dome and top mount hardware kit

CONNECTION **A**

D523 = 3" No-Hub
D524 = 4" No-Hub
D526 = 6" No-Hub
D528 = 8" No-Hub

DOMESTRAINER **B**

Cast iron dome is standard
B = ABS dome
A = Aluminum dome

OPTIONS **C**

2 = 2" high SS perf. extension¹
W = 2" high external water dam²
G = 2" high SS perf. gravel guard¹
P = Top mount hardware kit¹
4 = 4" high SS perf. extension¹
E = Adjustable extension¹
K = 4" high SS perf. gravel guard¹
C = Underdeck clamp¹

¹ Option applies to both drain and overflow fixtures | ² External water dam in place of internal standpipe on overflow fixture