

# ROOF DRAIN

## » 868 SERIES

### SPECIFICATION

Sioux Chief 868 Series 8" diameter roof drain with No-Hub connection. Coated cast iron body with combination membrane flashing clamp/gravel guard and vandal-resistant dome strainer. Designed in accordance with ASME A112.6.4

Used on any type of flat roof. Dome prevents debris from entering the drain line. The anchor flange and membrane clamp provide a secure grip of membrane and roof flashing materials.

### MATERIALS

**Dome strainer:** aluminum

**Gravel guard:** cast iron

**Drain body:** cast iron

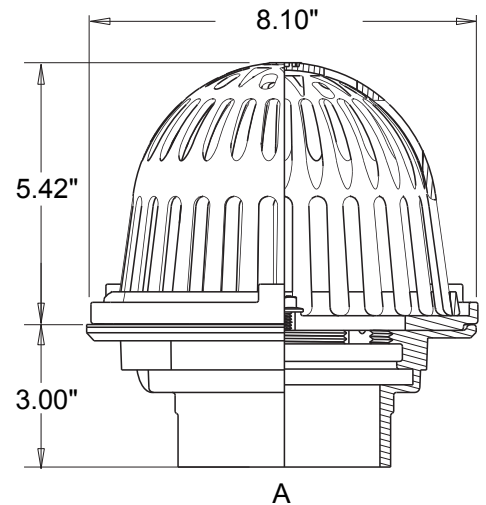
### DIMENSIONS

**A:** Connection - No-Hub      2"      3"      4"

### STRAINER FREE-AREA

38.9 in<sup>2</sup>

ITEM # SUBMITTED	_____
JOB NAME	_____
LOCATION	_____
ENGINEER	_____
CONTRACTOR	_____
PO#	_____ TAG _____



## Create Item Number

### 868-AB

e.g. **868-823SC**: Roof drain with 3" No-Hub connection, sump receiver and underdeck clamp kit

#### CONNECTION A

**823** = 3" No-Hub

**824** = 4" No-Hub

#### OPTIONS B

**9** = Side-outlet connection

**S** = Sump receiver

**C** = Underdeck clamp kit

**W** = 4" high internal water dam<sup>1</sup>

**P** = SS mesh dome cover

<sup>1</sup> Internal water dam can be cut/shortened by contractor as needed or per specifications