

TRENCH DRAIN CATCH BASIN

» 865 SERIES

HydroTec™

SPECIFICATION

Sioux Chief 865 Series HydroTec™ Maxi 200 catch basin shall be used where necessary for surface drainage. Catch basin shall incorporate a galvanized debris basket, fiber-reinforced concrete body, ductile iron edge rails, and ductile iron, ADA-compliant, grating with 'F1' grate-locking system - all components shall be assembled. Catch basin shall have a smooth outer wall to maximize adhesion with concrete encasement and reduce trapped air pockets. Edge rails shall be integrally formed into the basin wall. Concrete thickness and reinforcement shall be per structural engineer's specification for the application. Designed in accordance with ASME A112.6.3

MATERIALS

Grating: Ductile iron (ASTM A536 70-50-05) - ADA-Compliant

Edge Rails: Ductile iron (ASTM A536 70-50-05)

Basin Body: Fiber-reinforced concrete

Compressive strength: C35/45 (DIN EN 206)

Frost and de-icing salt resistant (DIN EN 1433 Class +R)

Fire Rating: A2 - non-combustible, no smoke, no burning drip (DIN 4102)

Thermal expansion/contraction: 1×10^{-6} mm/Kelvin*

Maximum water penetration depth: 8 mm (watertight per DIN EN 1433)

GRATE INTAKE AREA

52.3 in²

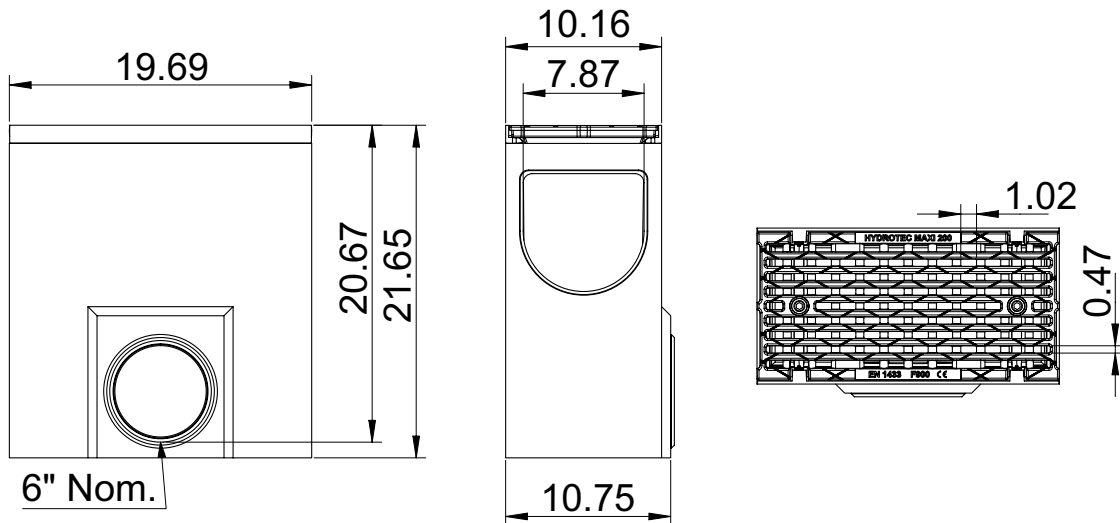
LOAD RATING

Class F900 per DIN EN 1433

HS25 per AASHTO

* Same as surrounding concrete foundation

ITEM # SUBMITTED	_____
JOB NAME	_____
LOCATION	_____
ENGINEER	_____
CONTRACTOR	_____
PO#	_____ TAG _____



Specify Item Number

865-M8CBF1A

Accessories - Available Separately:

- 865-8LR: Grate-locking rod for Maxi 200 System
- 865-8ECD: End cap for Maxi 200 System
- 865-6PC: PVC S&D connection pipe for 6" Nom. outlets
- 865-TOOL: Grate locking/unlocking tool