

TRENCH DRAIN CATCH BASIN

» 865 SERIES

HydroTec™

SPECIFICATION

Sioux Chief 865 Series HydroTec™ Maxi 100 catch basin shall be used where necessary for surface drainage. Catch basin shall incorporate a galvanized debris basket, fiber-reinforced concrete body, ductile iron edge rails, for use with ductile iron grating, having a 'boltless' grate-locking system. Catch basin shall have a smooth outer wall to maximize adhesion with concrete encasement and reduce trapped air pockets. Edge rails shall be integrally formed into the basin wall. Concrete thickness and reinforcement shall be per structural engineer's specification for the application. Designed in accordance with ASME A112.6.3

MATERIALS

Grating: Ductile iron (ASTM A536 70-50-05)

Edge Rails: Ductile iron (ASTM A536 70-50-05)

Basin Body: Fiber-reinforced concrete

Compressive strength: C35/45 (DIN EN 206)

Frost and de-icing salt resistant (DIN EN 1433 Class +R)

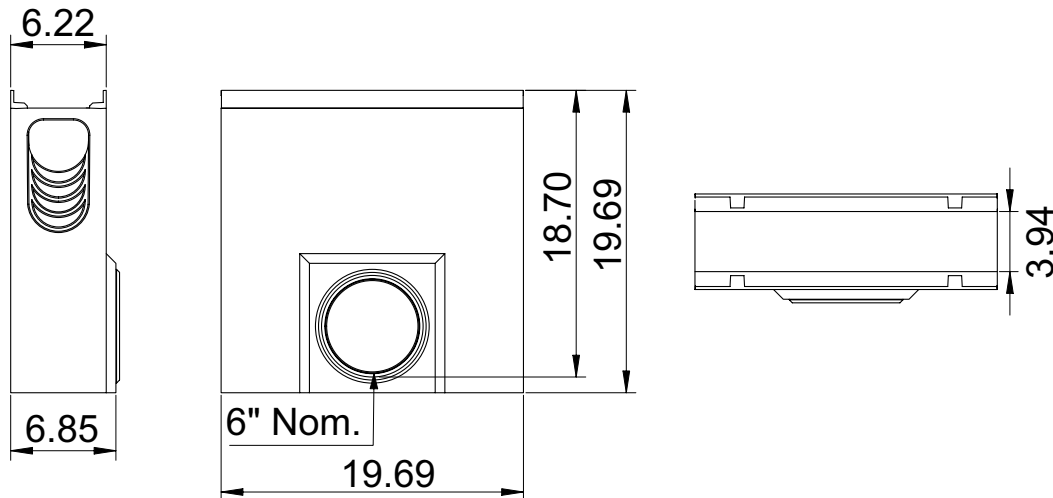
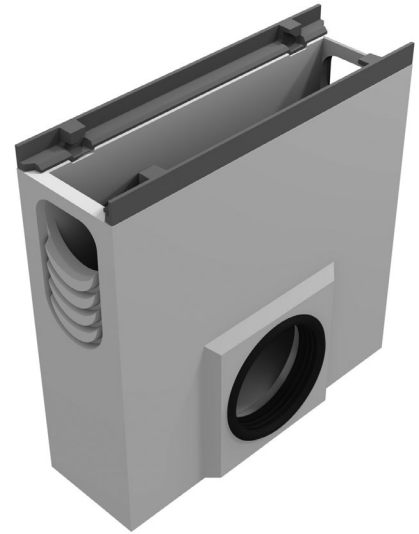
Fire Rating: A2 - non-combustible, no smoke, no burning drip (DIN 4102)

Thermal expansion/contraction: 1×10^{-6} mm/Kelvin*

Maximum water penetration depth: 8 mm (watertight per DIN EN 1433)

* Same as surrounding concrete foundation

ITEM # SUBMITTED	_____
JOB NAME	_____
LOCATION	_____
ENGINEER	_____
CONTRACTOR	_____
PO#	_____ TAG _____



Specify Item Number

CATCH BASIN

865-M4N10 = One-Meter section - 6.30" Overall height

DUCTILE IRON GRATING

865-M4DICH = Half-meter, Class C250, Slotted - Heel-proof

865-M4DICT = Half-meter, Class C250, Transverse-Slotted

865-M4DIDL = Half-meter, Class D400, Long-Slotted - ADA

865-M4DIEM = Half-meter, Class E600, High-intake - Mesh

865-M4DIFL = Half-meter, Class F900, Long-Slotted - ADA

Accessories - Available Separately:

865-4LR: Grate-locking rod for Maxi 100 System

865-4PC: PVC S&D connection pipe for 4" Nom. outlets

865-4EC: Closed end cap - 2-piece for Maxi 100 System

865-TOOL: Grate locking/unlocking tool