

# TRENCH DRAIN CATCH BASIN

» 865 SERIES

HydroTec™

## SPECIFICATION

Sioux Chief 865 Series HydroTec Maxi 100 fiber-reinforced concrete catch basin with galvanized debris basket and ductile iron edge rails shall be used where necessary for surface drainage. Use with all HydroTec Maxi 100 Series ductile iron grating - available separately (see below). All concrete thickness and reinforcement per structural engineer's specification for the application.

## MATERIALS

**Catch Basin:** Fiber-reinforced concrete

**Edge Rails / Grating:** Ductile iron

## LOAD RATING

Load ratings are determined by grating - Specify separately:

**865-M4DICH** = Class C, Ductile iron, Heel-proof slot, 19.69"

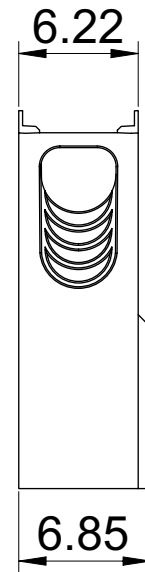
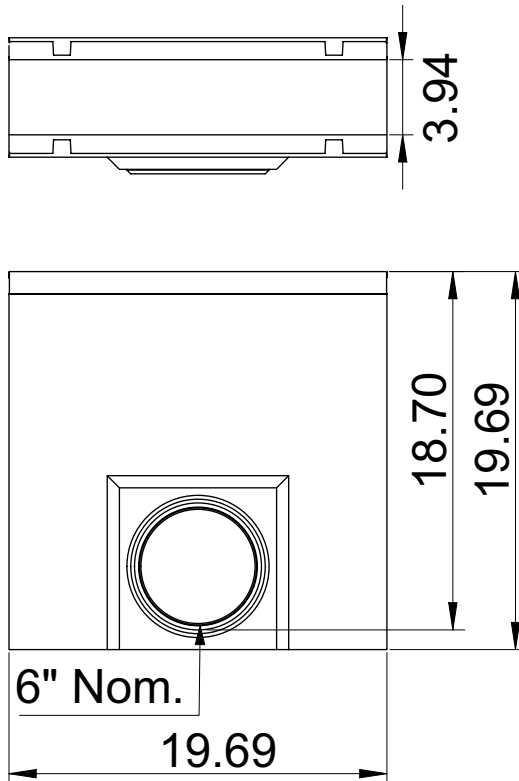
**865-M4DICT** = Class C, Ductile iron, Transverse slot, 19.69"

**865-M4DIDL** = Class D, Ductile iron, Long. slot, ADA, 19.69"

**865-M4DIFH** = Class F, Ductile iron, Heel-proof slot, 19.69"

**865-M4DIFL** = Class F, Ductile iron, Long. slot, ADA, 19.69"

ITEM # SUBMITTED	_____
JOB NAME	_____
LOCATION	_____
ENGINEER	_____
CONTRACTOR	_____
PO#	_____ TAG _____



Item Number

**865-M4CB**

Accessories - Available Separately:  
 865-4LR: Grate-locking rod for Maxi 100 System  
 865-4PC: PVC S&D connection pipe for 6" Nom. outlets  
 865-TOOL: Grate-locking tool