

TRENCH DRAIN CATCH BASIN

» 865 SERIES

HydroTec™

SPECIFICATION

Sioux Chief 865 Series HydroTec™ Maxi 400 catch basin shall be used where necessary for surface drainage. Catch basin shall incorporate a galvanized debris basket, fiber-reinforced concrete body, ductile iron edge rails, and ductile iron, ADA-compliant, grating with 'F1' grate-locking system - all components shall be assembled. Catch basin shall have a smooth outer wall to maximize adhesion with concrete encasement and reduce trapped air pockets. Edge rails shall be integrally formed into the body and include polymer inserts to reduce grate 'rattle' and extend service life. Concrete thickness and reinforcement shall be per structural engineer's specification for the application.

Designed in accordance with ASME A112.6.3

MATERIALS

Grating: Ductile iron (ASTM A536 70-50-05) - ADA-Compliant

Edge Rails: Ductile iron (ASTM A536 70-50-05)

Basin Body: Fiber-reinforced concrete

Compressive strength: C35/45 (DIN EN 206)

Frost and de-icing salt resistant (DIN EN 1433 Class +R)

Fire Rating: A2 - non-combustible, no smoke, no burning drip (DIN 4102)

Thermal expansion/contraction: 1×10^{-6} mm/Kelvin*

Maximum water penetration depth: 8 mm (watertight per DIN EN 1433)

GRATE INTAKE AREA

103.1 in²

LOAD RATING

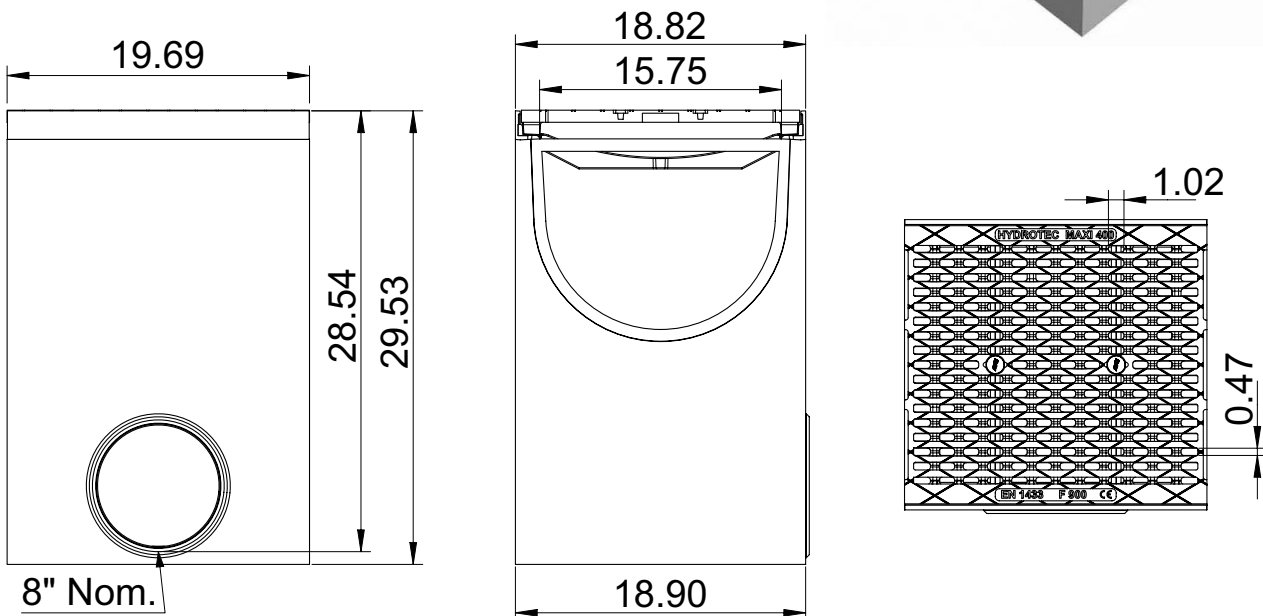
Class E600 / F900 per DIN EN 1433

HS25 per AASHTO

Extra-Heavy Duty per ASME A112.6.3

* Same as surrounding concrete foundation

ITEM # SUBMITTED	_____
JOB NAME	_____
LOCATION	_____
ENGINEER	_____
CONTRACTOR	_____
PO#	_____ TAG _____



Specify Item Number

LOAD RATING

865-M16PCBEA = Catch basin - Class E600 grate

865-M16PCBFA = Catch basin - Class F900 grate

Accessories - Available Separately:

865-16ECD: End cap for Maxi 400 System

865-8PC: PVC S&D connection pipe for 8" Nom. outlets

865-SHOVEL: Cleaning shovel for Maxi System