

TRENCH DRAIN

865 SERIES

HydroBlock™

SPECIFICATION

Sioux Chief 865 Series HydroBlock™ 150 trench drain shall be used where necessary for surface drainage. Trench drain shall incorporate a one-piece, ductile iron channel/grate design to eliminate grate 'rattle' and provide ultimate durability in heavy-traffic applications. Trench drain shall be qualified as 'Type I' according to EN 1433 and approved for use in areas with high dynamic forces. System shall incorporate gasket-sealed, 'hub & spigot' joints for fast, watertight installations. Concrete thickness and reinforcement shall be per structural engineer's specification for the application. Designed in accordance with ASME A112.6.3

MATERIALS

Channel/Grate: Enamel-coated ductile iron (ASTM A536 70-50-05)

Sealing Gasket: Flexible elastomer

GRATE INTAKE AREA

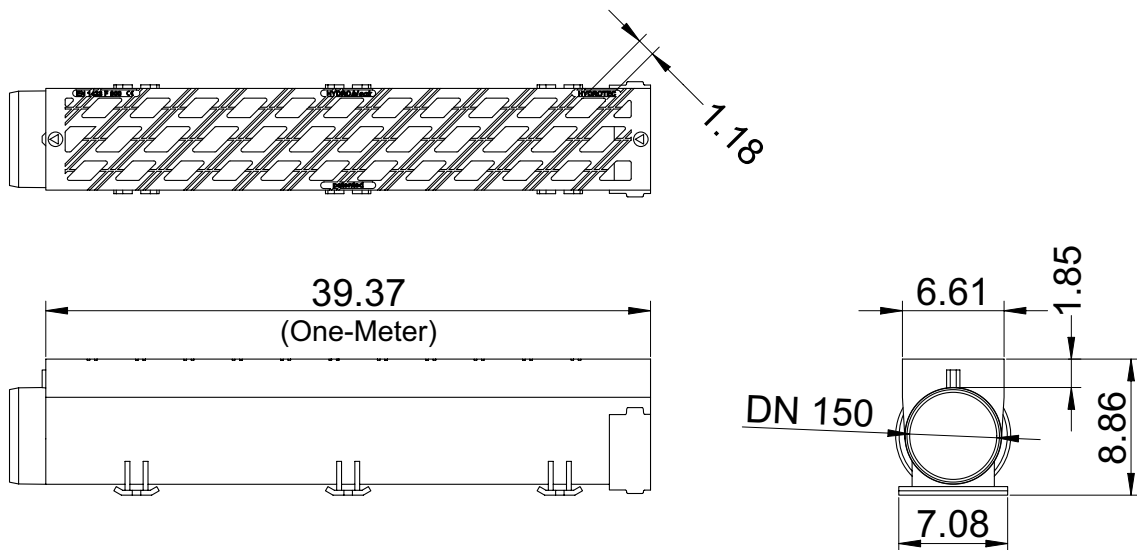
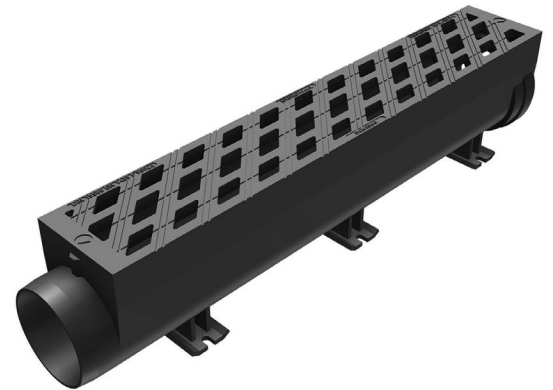
80.4 in² / meter

LOAD RATING

Class F900 per DIN EN 1433

HS25 per AASHTO

ITEM # SUBMITTED	_____
JOB NAME	_____
LOCATION	_____
ENGINEER	_____
CONTRACTOR	_____
PO#	_____ TAG _____



Specify Item Number

CHANNEL

865-HB600FA = One-Meter section - one-piece design

Accessories - Available Separately:

- 865-HB6005BFA: Half-meter, bottom-outlet section with removable grate¹
- 865-HB6005HSFA: Half-meter, Left/Right/End-outlet section with removable grate¹
- 865-HB6CBFA: Half-meter, catch basin with removable grate¹
- 865-6PC: PVC S&D connection pipe for 6" Nom. outlets
- 865-HB6EC: Closed end cap for SOCKET end
- 865-HB60C: Closed end cap for SPIGOT end
- 865-HB6INSB: Installation tool for HydroBlock

¹ Removable grate is locked down with four stainless steel, hex-socket screws