

TRENCH DRAIN

865 SERIES

HydroTec™

SPECIFICATION

Sioux Chief 865 Series ductile iron grating shall be used where necessary with 865 Series HydroTec™ Maxi 100 trench drain channels or catch basin. Grate shall be ADA-compliant, with a 'boltless' locking system. Designed in accordance with ASME A112.6.3

MATERIALS

Ductile iron (ASTM A536 70-50-05)

GRATE INTAKE AREA

29.7 in² / half-meter

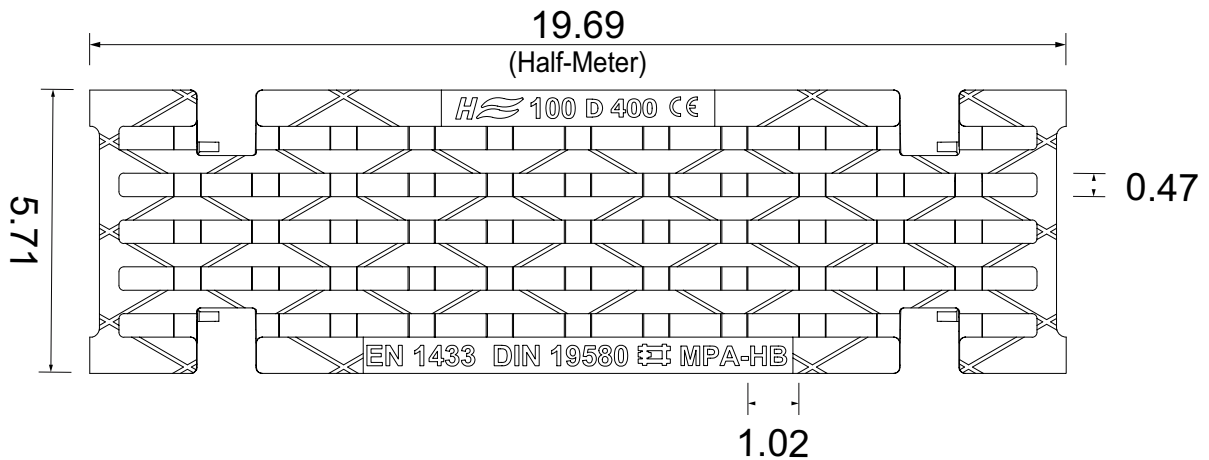
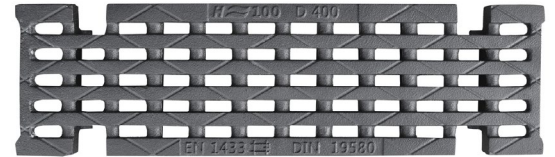
LOAD RATING

Class D400 per DIN EN 1433

HS20 per AASHTO

Heavy Duty per ASME A112.6.3

ITEM # SUBMITTED	_____
JOB NAME	_____
LOCATION	_____
ENGINEER	_____
CONTRACTOR	_____
PO#	_____ TAG _____



Specify Item Number

865-M4DIDL