

# TRENCH DRAIN

## 865 SERIES

HydroTec™

### SPECIFICATION

Sioux Chief 865 Series ductile iron grating shall be used where necessary with 865 Series HydroTec™ Maxi 100 trench drain channels or catch basin. Grate shall have a transverse slot pattern with 'boltless' locking system. Designed in accordance with ASME A112.6.3

### MATERIALS

Ductile iron (ASTM A536 70-50-05)

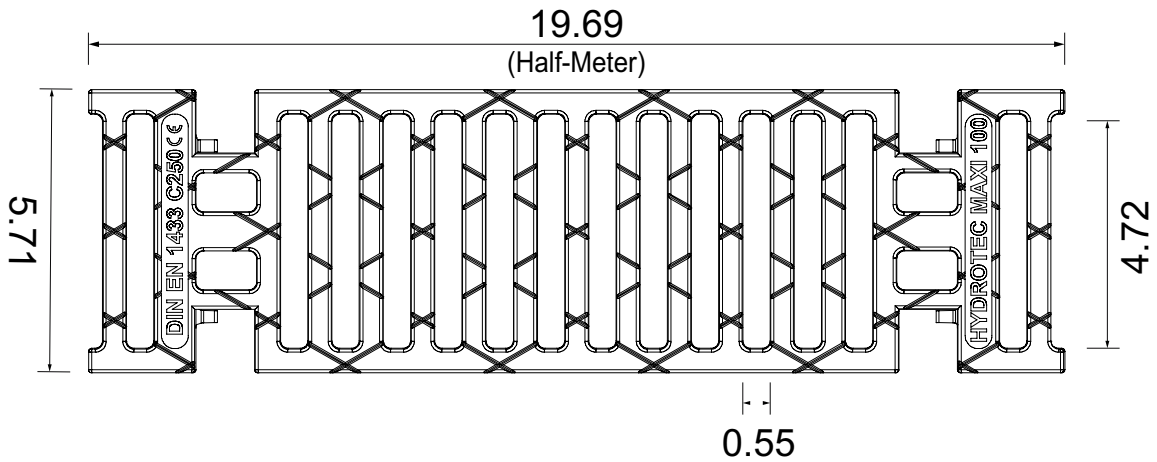
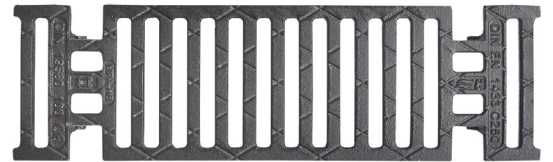
### GRATE INTAKE AREA

42.7 in<sup>2</sup> / half-meter

### LOAD RATING

Class C250 per DIN EN 1433  
Heavy Duty per ASME A112.6.3

ITEM # SUBMITTED	_____
JOB NAME	_____
LOCATION	_____
ENGINEER	_____
CONTRACTOR	_____
PO#	_____
TAG	_____



Specify Item Number

**865-M4DICT**