

ADJUSTABLE CLEANOUT

851 SERIES

SPECIFICATION

Sioux Chief 851 Series adjustable cleanout shall be used where necessary in drainage systems. Cleanout shall have a Sch. 40 hub connection, which conforms to ASTM D2665 (PVC) or D2661 (ABS). Connection to drainage system shall be made with a solvent weld joint to ABS/PVC pipe. Cleanout cover shall meet applicable load requirements for intended use. Cleanout shall include a slotted, polypropylene cleanout plug, with threaded brass insert to accept cover screw.

Designed in accordance with ASME A112.36.2M

MATERIALS

Adapter body: ABS or PVC

Ring/cover: Nickel-bronze, tenz-alloy or cast iron

Set screws: Square-head, 1/4-20

Cover screw: Phillips head, stainless steel, 1/4-20

Cleanout plug: Polypropylene with threaded brass insert

COVER LOAD RATING

Nickel-bronze: 1,000 lbs. (light duty)

Tenz-alloy: 750 lbs. (light duty)

Cast iron: 7,500 lbs. (heavy duty)

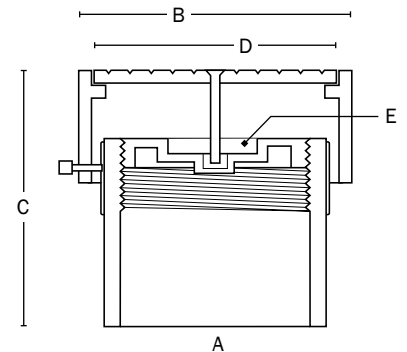
DIMENSIONS

A: Connection size	3", 4", 6" Sch. 40 hub			
	Nickel-Bronze	Tenz-Alloy	Cast Iron	Lam. Cast Iron
B: Ring/cover diameter				
3" model	4.75"	4.75"	n/a	n/a
4" model	6"	6"	6"	n/a
6" model	8.375"	8.375"	8.5"	8.75"
C: Adjustable height				
3" model	3.5" - 4.5"	3.5" - 4.5"	n/a	n/a
4" model	3.75" - 4.75"	3.75" - 4.75"	4.5" - 6.25"	n/a
6" model	5.5" - 6.75"	5.5" - 6.75"	6" - 7.75"	6.25" - 8"
D: Cover diameter				
3" model	4.25"	4.25"	n/a	n/a
4" model	5.25"	5.25"	5.125"	n/a
6" model	7.75"	7.75"	7.75"	7.75"
E: Cleanout plug				
3" model	3" MIP	3" MIP	n/a	n/a
4" model	4" MIP	4" MIP	4" MIP	n/a
6" model	6" MIP	6" MIP	6" MIP	6" MIP

ITEM # SUBMITTED	_____
JOB NAME	_____
LOCATION	_____
ENGINEER	_____
CONTRACTOR	_____
PO#	_____ TAG _____



851-44N



Create Item Number

851-ABCD

e.g. **851-44NV:** Adjustable cleanout with 4" Sch. 40 PVC hub connection and vandal-resistant nickel-bronze top

CONNECTION TYPE A

3 = ABS connection
4 = PVC connection

CONNECTION SIZE B

3 = 3" Sch. 40 Hub
4 = 4" Sch. 40 Hub
6 = 6" Sch. 40 Hub

RING/COVER TYPE C

N = Nickel-bronze
T = Tenz Alloy
i = Cast Iron¹
IN = NB laminated cast iron¹

OPTIONS D

V = Vandal-resistant cover screw
S = Stamping (specify letters)²
C = Carpet marker²

¹ Not available with 3" connection | ² Not available for cast iron ring/cover