

ADJUSTABLE HORIZONTAL CLOSET CARRIER WITH PVC WASTE FITTING - 500-LB. MAX LOAD

837 SERIES

SPECIFICATION

Sioux Chief 837 Series adjustable, horizontal water closet carrier with 4" PVC spigot connections, rated for 500 lb. maximum static load. Includes injection-molded PVC right-hand or left-hand waste fitting with zinc-plated steel thread inserts and 2" Sch. 40 hub vent, adjustable cast iron faceplate, floor mounted cast iron legs with support gussets, ABS coupling with integral test cap and sealing gasket, fixture bolts, trim, stud protectors, and neoprene fixture gasket. Designed in accordance with ASME A112.6.1M

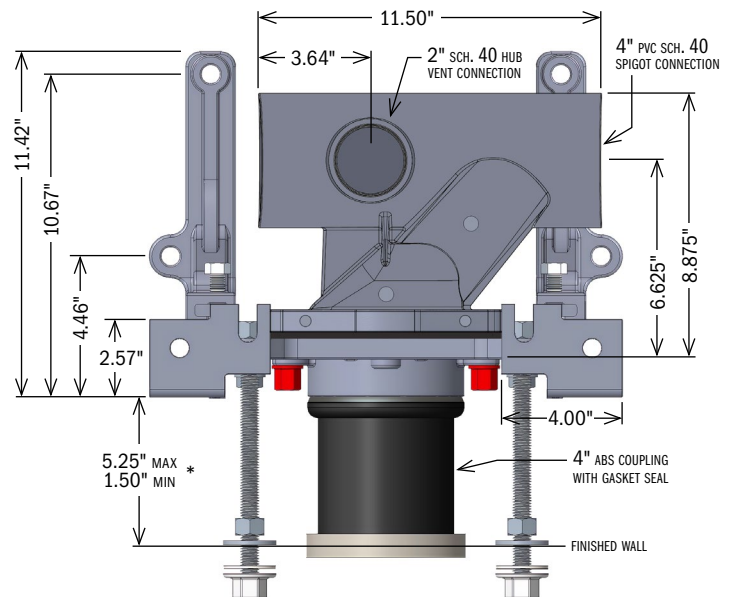
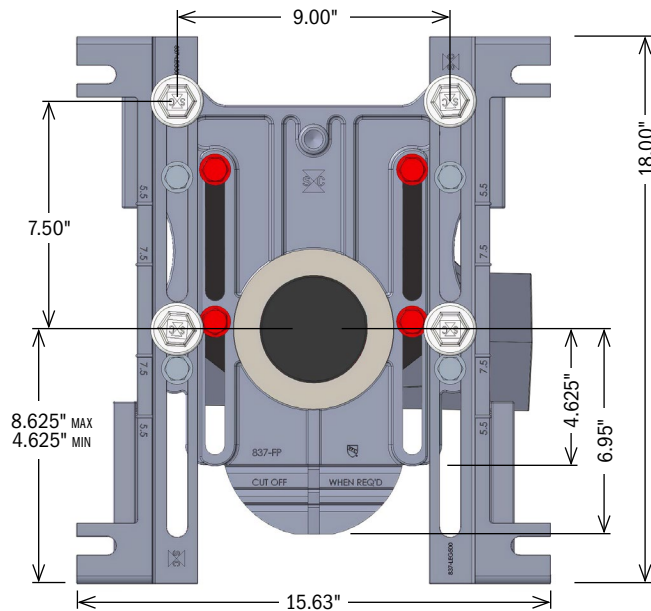
Used with wall-mounted closet fixtures having no contact with the finished floor. The closet carrier is concealed within the wall and supports the load of the fixture through a faceplate mounted to floor-anchored supports.

IMPORTANT: Leg support gussets (2, included) must be attached and anchored to the floor when using the PVC waste fitting.

WEIGHT

56 lbs. (approx)

ITEM # SUBMITTED	_____
JOB NAME	_____
LOCATION	_____
ENGINEER	_____
CONTRACTOR	_____
PO#	_____ TAG _____



* Using standard coupling and supplied thread rods

Create Item Number

837-AB

e.g. 837-PHSRT: Adjustable horizontal 500-lb. water closet carrier with PVC right-inlet fitting and 12" coupling

INLET SIDE A

PHSL = Left Inlet (flow to the Right)

PHSR = Right Inlet (flow to the Left)

OPTIONS B

T = 12" ABS coupling

(6" coupling is included as standard)

Accessories - Available Separately:

- 837-TF: Finish tiling frame for closet carrier - ABS
- 521-725: Copper-plated Carrier bracket with 1" CTS hole
- 521-728: Copper-plated Carrier bracket with 1" CTS notch
- 521-723BB: Copper-plated chase bracket
- 608-L4612: 1" M.SWT Copper stub out elbow (6" x 12")
- 624-L08: 1" M.SWT Copper stub out (8" long)
- 624-L12: 1" M.SWT Copper stub out (12" long)