

SHOWER PAN DRAIN

» 821 SERIES

SPECIFICATION

Sioux Chief 821 series shower pan drain shall be used where necessary in drainage systems. Drain shall have a beveled flashing base adapter with peripheral mounting holes for securing to subfloor. Strainer shall meet all load and flow requirements for installations in shower areas. Invertible clamping collar shall fasten to drain body with four screws that thread into brass inserts. Drain body shall have a 2" Sch. 40 hub connection and connect to DWV pipe via solvent weld joint. Designed in accordance with ASME A112.18.2-2005 / CSA B125.2-05.

MATERIALS

Head adapter & tile-insert tray: 304 Stainless steel

Clamping collar: Reinforced polypropylene

Collar screws: Zinc-plated, hex cap screws

Base adapter: Gray PVC, black ABS

LOAD RATING

500 lbs.

SLOT FREE AREA

6.4 in²

FLOW CAPACITY¹

8 GPM

DIMENSIONS

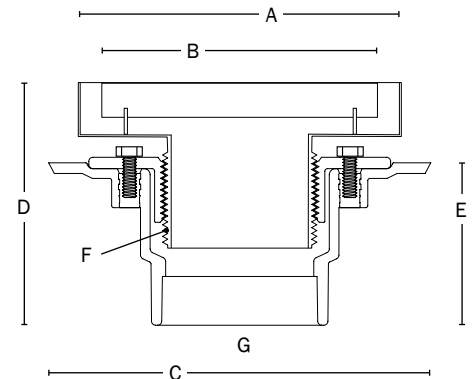
A: Top square	5-1/8"
B: Tray square	4-3/8"
C: Flange diameter	5-7/8"
D: Adjustable height	3-5/8" – 4-1/4"
E: Drain body height	2-1/2"
F: Head adapter thread	2" MIP
G: Connection	2" Sch. 40 hub

¹ Observed flow rate under test conditions at 0.375" head.

ITEM # SUBMITTED	_____
JOB NAME	_____
LOCATION	_____
ENGINEER	_____
CONTRACTOR	_____
PO#	_____ TAG _____



821-2PTQ



Create Item Number

821-AB

e.g. **821-2PTQ**: Shower pan drain with stainless steel tile-insert head and PVC connection

TEST PLUG OPTION A

T = DoubleDuty™ test plug included
_ = No test plug (standard)

CONNECTION TYPE B

2ATQ = ABS drain body
2PTQ = PVC drain body

Accessories - Available Separately:

821-2LTQ: Stainless steel head adapter & tray only
 821-MHA2: ABS drain body & collar only
 821-MHP2: PVC drain body & collar only
 821-TMHA2: ABS drain body & collar with test plug only
 821-TMHP2: PVC drain body & collar with test plug only
 821-EX2: Threaded extension adapter
 821-H: Removable hair catcher for head adapter
 821-TP: DoubleDuty™ test plug only
 835-2: TrapShield™ for 2" drain outlet