

# ADJUSTABLE ROUGH-IN FIXTURE AND DUCTILE IRON GRATE

» 832 SERIES

FinishLine™

## SPECIFICATION

Sioux Chief 832 series FinishLine adjustable floor drain rough-in fixture and ductile iron grate shall be used where necessary in drainage systems. Fixture shall allow adjustment before the concrete pour and incorporate a removable plug for replacement with 832-SD9 grate. Heel-resistant grate shall incorporate tapped lugs for optional leveling adjustment and meet all applicable load requirements for intended use. Trap primer port in drain body shall be threaded 1/2" FIP and plugged for optional connection. Designed in accordance with ASME A112.6.3

## MATERIALS

**Coring plug:** High-impact polymer

**Grate / Coring sleeve / Base adapter:** Ductile iron

## GRATE LOAD RATING

15,000 lbs. (Special-duty)

## FREE AREA

21.9 in<sup>2</sup>

## DIMENSIONS

|                               |                           |                 |
|-------------------------------|---------------------------|-----------------|
| <b>A:</b> Connection          | 4" No-Hub                 | 6" No-Hub       |
| <b>B:</b> Top diameter        | 9.25"                     |                 |
| <b>C:</b> Base adapter height | 4-1/2"                    | 5-3/8"          |
| <b>D:</b> Overall height      | 5-3/8" – 6-7/8"           | 6-1/4" – 7-3/4" |
| <b>E:</b> Trap primer port    | 1/2" FIP thread - plugged |                 |

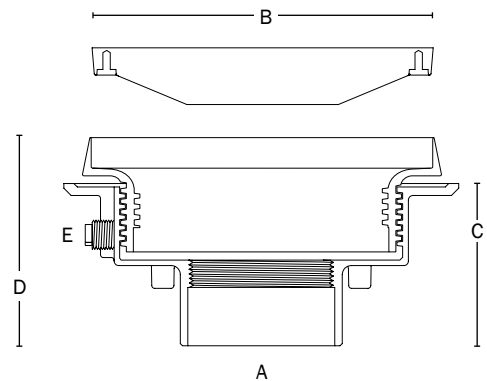
|                  |                 |
|------------------|-----------------|
| ITEM # SUBMITTED | _____           |
| JOB NAME         | _____           |
| LOCATION         | _____           |
| ENGINEER         | _____           |
| CONTRACTOR       | _____           |
| PO#              | _____ TAG _____ |



832-SD9



832-49DF



## Item Numbers

### DRAIN BODY WITH CORING PLUG:

**832-49DF** = 4" No-Hub

**832-6DF** = 6" No-Hub

### DRAIN BODY OPTIONS:

**C** = Cast iron clamping collar

**P** = PVC Base adapter<sup>1</sup>

### GRATE:

**832-SD9** = Ductile iron grate

### Accessories - Available Separately:

832-WCQ: Flexible locating bristles kit

860-UMCQ: Stainless steel mesh debris basket

<sup>1</sup> In lieu of iron adapter (standard). PVC Base adapter has Sch. 40 hub connection