

SHOWER MODULE DRAIN

825 SERIES

SPECIFICATION

Sioux Chief 825 series shower module drain with side outlet shall be used where necessary in drainage systems. Shower drain shall have a two-piece, receptor base design with PVC Sch. 40 hub connection. Strainer shall meet all applicable load and flow requirements for intended use. Designed in accordance with ASME A112.18.2-2005 / CSA B125.2-05.

MATERIALS

Strainer: 430 Stainless steel
Male-thread Top: PVC
Washers: Rubber, polyethylene
Female-thread Body: PVC

STRAINER LOAD RATING

300 lbs. (19 gauge)

STRAINER FREE AREA

3.25 in²

STRAINER FLOW CAPACITY¹

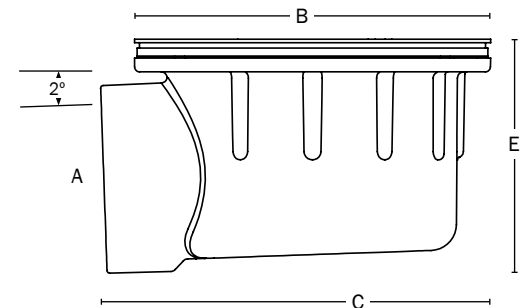
6.0 GPM

DIMENSIONS

A: Connection size	1-1/2" Sch. 40 Hub	2" Sch. 40 Hub
B: Strainer diameter	4-1/4"	4-1/4"
C: Overall Height	2-3/4" – 3-1/2:"	3-1/4" – 4"
D: Overall width	4-5/8"	4-3/4"

¹ Observed flow rate under test conditions at 0.375" head.

ITEM # SUBMITTED	_____
JOB NAME	_____
LOCATION	_____
ENGINEER	_____
CONTRACTOR	_____
PO#	_____ TAG _____



Create Item Number

825-A

e.g. **825-17P9:** Side-outlet shower module drain with 1-1/2" PVC Sch. 40 hub connection

CONNECTION TYPE A

- 17P9** = 1-1/2" PVC Sch. 40 hub
- 27P9** = 2" PVC Sch. 40 hub

Snap-In Strainers - Available Separately:

- 827-2SPK1: Stainless steel strainer - snap-in
- 827-2RBPk2: Oil-rubbed bronze finish strainer - snap-in
- 827-2SNPK2: Satin nickel finish strainer - snap-in
- 827-2SMRPk1: Matte black finish strainer - snap-in
- 827-2SWPK1: White finish strainer - snap-in
- 827-2SPPK1: Polished brass finish strainer - snap-in

Note: All snap-in strainers are stainless steel base material with applied finish as indicated