

# JOB-ADJUSTABLE LINEAR SHOWER DRAIN

**823 SERIES**

**StreamLine™**

ITEM # SUBMITTED	_____
JOB NAME	_____
LOCATION	_____
ENGINEER	_____
CONTRACTOR	_____
PO#	_____ TAG _____

## SPECIFICATION

Sioux Chief 823 Series StreamLine™ Job-Adjustable, linear shower/floor drains shall be used where necessary in drainage systems. Linear drain kit shall include channel/cover, strainer, end caps, outlet fitting, adjustment adapter, and drain body with collar. Channel and strainer shall be cut to length on-site for proper fit in custom applications. Compact-design drain body shall have peripheral notches for securing to sub floor and 2" Sch. 40 hub connection. Linear drain channel shall be height adjustable using threaded adjustment adapter. Strainer height shall be adjustable and meet all load and flow requirements for installations in shower areas. Designed in accordance with ASME A112.18.2-2005 / CSA B125.2-05.

## MATERIALS

**Channel/End caps/Outlet fitting/Adjustment adapter:** ABS  
**Strainer/Adjustment brackets:** Stainless steel - brushed finish  
**Clamping Collar:** Glass-filled polypropylene  
**Drain body:** ABS, PVC



## INSTALLATION

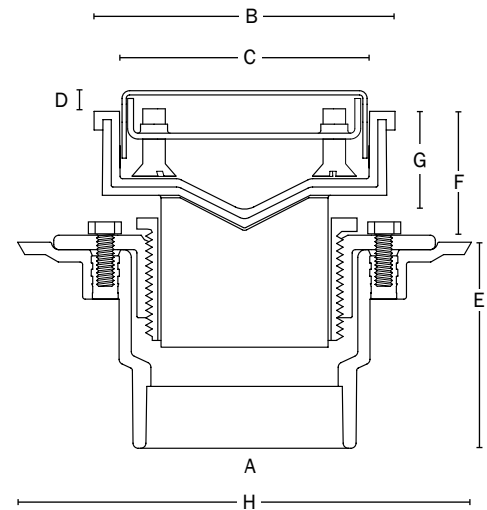
Install per manufacturer's instructions (provided), ANSI A108 standards and TCNA guidelines. Always perform flood test of shower areas before tiling.

## DIMENSIONS

Channel/Strainer length <sup>1</sup>	36", 72"
<b>A:</b> Connection	2" Sch. 40 hub
<b>B:</b> Channel width (outside)	3 <sup>5</sup> / <sub>8</sub> "
<b>C:</b> Channel width (inside)	3"
<b>D:</b> Adjustable height (strainer) <sup>2</sup>	0 – 1/2"
<b>E:</b> Body height	2 1/2"
<b>F:</b> Adjustable height (channel)	1 5/8" – 3 1/4"
<b>G:</b> Channel depth	1"
<b>H:</b> Flange diameter	5 1/2"

<sup>1</sup> Be sure to account for the outlet fitting when determining overall channel length. The maximum length of the channel, including the outlet fitting is 36" or 72".

<sup>2</sup> Max height using optional 1" screws (provided) in strainer adjustment brackets



### Create Item Number

## 823-ABC

e.g. **823-T2P36V:** 36" linear shower pan drain with PVC drain body and slotted strainer

**CONNECTION TYPE A**  
**T2A** = ABS Sch. 40 hub  
**T2P** = PVC Sch. 40 hub

**CHANNEL LENGTH B**  
**36** = 36" Max length<sup>1</sup>  
**72** = 72" Max length<sup>1</sup>

**STRAINER TYPE C**  
**T** = Tile-insert strainer  
**V** = Slotted strainer