

# INTEGRAL TRAP FLOOR DRAIN

800 SERIES

WeldOne™

## SPECIFICATION

Sioux Chief 800 Series WeldOne™ integral trap floor drain shall be used where necessary in drainage systems. Drain shall have a 2" Sch. 40 hub connection which shall incorporate proper pitch to insure grate remains level after connection. Drain trap shall be properly sized, and smooth-sweep, to insure full flow and reduce sediment buildup. Drain shall employ a full 3" trap seal, and include a factory plugged cleanout access inside sump area. Strainer shall meet applicable load and flow requirements for intended use. Trap primer port shall be threaded 1/2" FIP for knockout connection. Designed in accordance with ASME A112.6.3.

## MATERIALS

**Strainer:** polypropylene  
**Strainer screw:** stainless steel  
**Drain body:** PVC (gray) or ABS (black)  
**Cleanout plug:** polypropylene

## STRAINER LOAD RATING

350 lbs. (light duty, heel-resistant<sup>1</sup>)

## STRAINER FREE AREA

14.25 in<sup>2</sup>

## DIMENSIONS

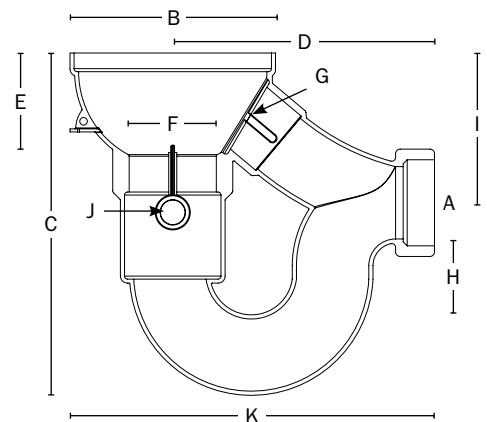
<b>A:</b> Connection	2" Sch. 40 hub
<b>B:</b> Top diameter	6-1/2"
<b>C:</b> Overall height	11-1/2"
<b>D:</b> Sump center to outlet	8-5/8"
<b>E:</b> Sump depth	3-1/8"
<b>F:</b> Throat	2" FIP thread
<b>G:</b> Cleanout (plugged)	1-1/2" FIP thread
<b>H:</b> Trap seal	3"
<b>I:</b> Top to outlet center	5"
<b>J:</b> Trap primer port	1/2" FIP for knockout connection
<b>K:</b> Overall width	12"

<sup>1</sup> According to ASME A112.6.3

ITEM # SUBMITTED	_____
JOB NAME	_____
LOCATION	_____
ENGINEER	_____
CONTRACTOR	_____
PO#	_____ TAG _____



800-P



### Create Item Number

## 800-AB

e.g. **800-PBW:** Gray PVC WeldOne floor drain with backwater device installed

### DRAIN MATERIAL A

**A** = ABS (black polypro strainer)  
**P** = PVC (gray polypro strainer)

### BACKWATER OPTION B

**BW** = float-ball backwater device installed

### Accessories - Available Separately:

- 802-7: Float-ball backwater device
- 801-PG2: Gray polypro replacement strainer
- 801-A2: Black polypro replacement strainer
- 801-DR2: Ductile iron round ring/strainer with screws
- 801-NQ2: Nickel-bronze square ring/strainer with screws
- 801-NR2: Nickel-bronze round ring/strainer with screws
- 801-SQ2: Stainless steel square ring/strainer with screws
- 801-SR2: Stainless steel round ring/strainer with screws