

FLOOR SUPPORT FOR CLOSET FLANGE

490 SERIES

SPECIFICATION

Sioux Chief 490 series steel floor support shall be used where necessary to reinforce flooring and provide a solid base for the installation of closet flanges. Floor support shall incorporate a split design, to allow installation under and around existing flange/pipe and a zinc-plated finish for corrosion resistance. Floor support kit shall include two steel support plates and mounting hardware.

MATERIALS

Support plates: 16-ga. Zinc-plated steel

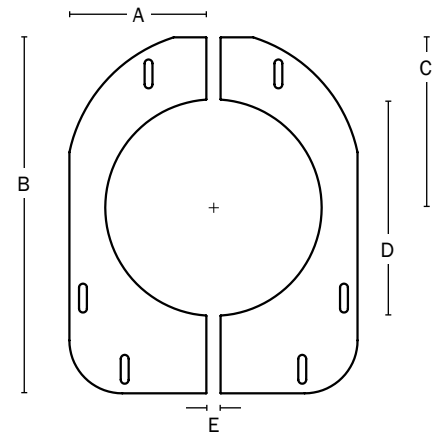
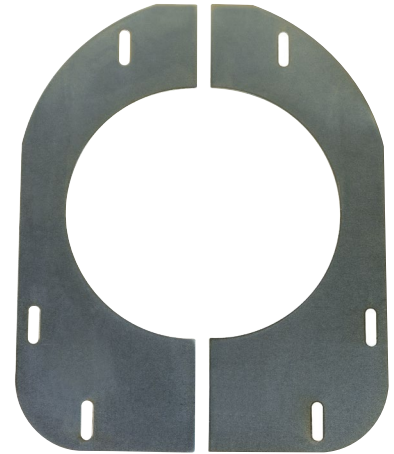
Hardware: Zinc-plated screws

DIMENSIONS

A: Plate width	3.56"
B: Plate length	9.25"
C: Front to center point	4.42"
D: Opening	5.625"
E: Plate Gap ¹	0.375"

¹ Gap distance when opening is a perfect circle

ITEM # SUBMITTED	_____
JOB NAME	_____
LOCATION	_____
ENGINEER	_____
CONTRACTOR	_____
PO#	_____ TAG _____



Item Number

490-11322