

MANIFOLD BRACKET

»» 550-AMB

SPECIFICATION

Manifold bracket shall be used where necessary to support copper, brass or plastic manifolds in plumbing systems or radiant heating systems. Bracket shall be manufactured from high-grade plastic and shall feature an offset design for proper spacing. Manifold bracket shall be offered in pre-bagged kits that include clamps, rubber spacers and hardware.

INSTALLATION

Secure brackets to firm surface such as studs or plywood. Insert rubber spacers to best fit trunk diameter. Install plastic clips over manifold and secure tightly. Maximum pipe O.D. is 1-1/2"

MATERIALS

Bracket: Glass-filled nylon

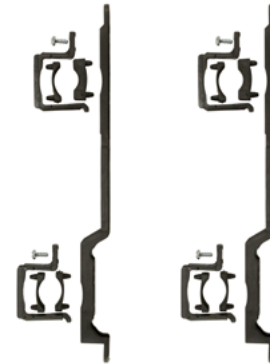
Spacer: TPE-S

Screw: .316" D x .472" L, galv. steel, phillips head

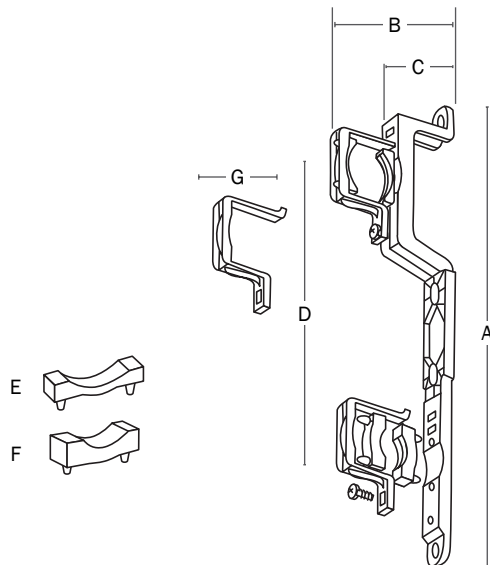
DIMENSIONS

A: Length	13-1/2"
B: Offset 1	1-1/16"
C: Offset 2	2-3/4"
D: Centerline	8"
E: Spacer A	.496" x .433" x .433"
F: Spacer B	.474" x .472" x .472"
G: Clamp Depth	1-1/2"

ITEM # SUBMITTED	_____
JOB NAME	_____
LOCATION	_____
ENGINEER	_____
CONTRACTOR	_____
PO#	_____ TAG _____



550-AMB



Made in Germany

Item Number

550-AMB