

UNIVERSAL PIPE CLAMP

» 550-11 SERIES

TouchDown™

SPECIFICATION

Sioux Chief 550 series Universal Pipe Clamp is to be used where necessary to insulate or secure any tube, pipe or conduit 3/8" O.D. to 1 1/8" O.D. in residential or commercial applications. Variable clamping tension allows for thermal expansion and contraction. Clamp base shall provide a 1/4" offset from mounting surface. Clamp shall be compatible with copper, PEX and CPVC and IAPMO certified.

INSTALLATION

Secure clamp base to structure with screws (provided). Place tube between posts. Ratchet bridge evenly over both posts.

When desired, optional noise absorption inserts may be purchased separately to provide higher level of noise reduction by installing one insert into each the clamp base and clamp bridge. Noise absorption inserts shall not alter heat or weight tolerances. Noise absorption inserts shall NOT be used with plenum-safe models.

MATERIALS

Standard (black): UV-resistant nylon 66, UL-94 V2

E84 PlenumSafe™ (orange): polyvinylidene fluoride (PVDF), meets ASTM E84 25/50 and UL-94 V0

Noise insert: TPE

Screws: #6 x 1" zinc plated, bugle head, drill point

SAFE WORKING LOAD

Standard (black)

-10°–100°F	70 lbs.
131°–180°F	38 lbs.
181°–220°F	12 lbs.

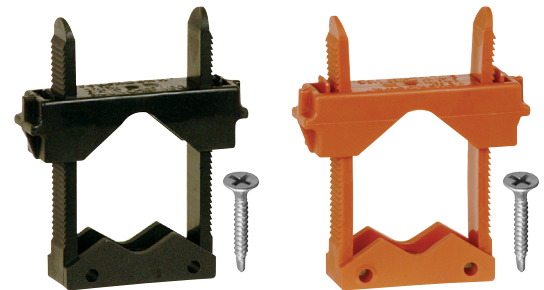
E84 PlenumSafe™ (orange)

-10°–100°F	50 lbs.
101°–120°F	35 lbs.
121°–140°F	12 lbs.

DIMENSIONS

A: base clamp height	2.36"
B: base clamp width	1.37"
C: bridge width	2"
D: clamping range	0.375" – 1.315" (3/8" O.D. – 1 1/8" O.D.)

ITEM # SUBMITTED	_____
JOB NAME	_____
LOCATION	_____
ENGINEER	_____
CONTRACTOR	_____
PO#	_____ TAG _____

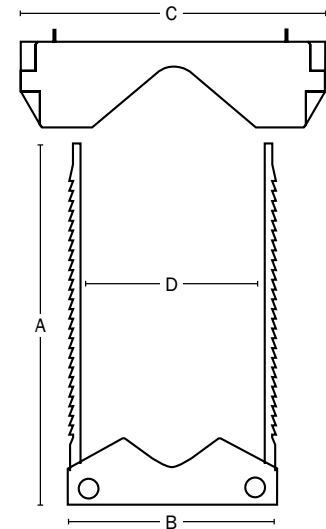


550-11

550F11



522-100B



Made in USA

Create Item Number

550A11B

e.g. 550-11: Black Nylon TouchDown

MATERIAL A

– = black nylon (dash)
F = polyvinylidene fluoride

NOISE ABSORPTION INSERTS B

Q = with inserts
_ = no inserts (blank)