

# Add-A-Shower

## /// FAUCET-TYPE ADD-A-SHOWER KIT

### SPECIFICATION

This Faucet-Type Add-A-Shower Kit includes all hardware needed for installation. It requires installer to use electric drill, screwdriver (Phillips head), adjustable wrench, hacksaw and plumber's putty, which are not included in kit. Easy to install for contractors or the do-it-yourselfer.

### ATTRIBUTES

- Faucet-type style is durable for regular use
- Simple design is easy to install

### MATERIALS

All components in this kit are made of durable chrome-plated brass.

### APPLICATIONS

- Bathroom
- Shower

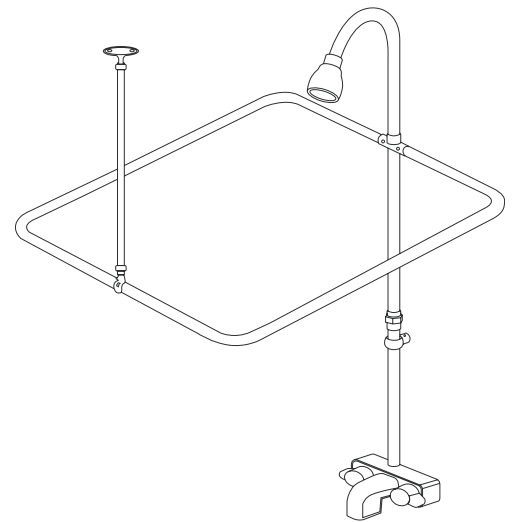
### DIMENSIONS

**Product Depth:** 12.25 in  
**Product Length:** 43.125 in  
**Product Height :** 43.125 in  
**Product Width:** 3.312 in  
**Product Weight:** 7.82 lb

### SM NUMBER

974-68200301

ITEM # SUBMITTED	_____
JOB NAME	_____
LOCATION	_____
ENGINEER	_____
CONTRACTOR	_____
PO#	_____ TAG _____



Choose Item Number

**974-68200301**

Description: Faucet type Add-A-Shower

