

METAL WASTE TUBES

/// 240-60 SERIES, 240-61 SERIES, 240-62 SERIES

SPECIFICATION

Tomahawk Metal Waste Tubes are intended to provide accessible and replaceable tube and fittings to convey domestic waste from fixtures to the drain, waste and vent (DWV) system. Tomahawk Metal Waste Tubes shall meet or exceed ASME standard A112.18.2.

MATERIALS

Brass

Finish: chrome or rough brass

DIMENSIONS

*Tomahawk specifications in US customary units are approximate and are provided for reference only.

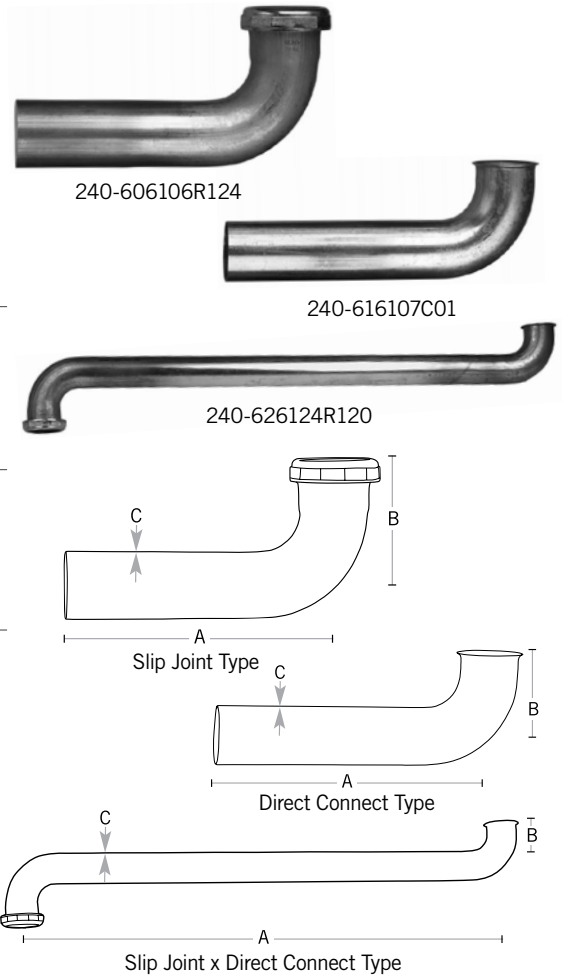
	-606106R1	-606107C	-606108R1	-606111C	-606115C	-606118R1
A: length	6"	7"	8"	11-1/2"	15"	18"
B: height	3-1/4"	3-1/4"	3-1/4"	3-1/4"	3-1/4"	3-1/4"
C: gauge	22ga	22ga	22ga	22ga	22ga	22ga

	-606124R1	-606136R1	-606211C	-606218R1	-606224R1	-606306R1
A: length	24"	36"	11-1/2"	18"	24"	6"
B: height	3-1/4"	3-1/4"	3-1/4"	3-1/4"	3-1/4"	3-1/4"
C: gauge	22ga	22ga	20ga	20ga	20ga	17ga

	-6063111C	-6063112R1	-606318R1	-6063241C	-606324R1	-616107C
A: length	11-1/2"	11-1/2"	18"	24"	24"	7"
B: height	3-1/4"	3-1/4"	3-1/4"	3-1/4"	3-1/4"	3"
C: gauge	17ga	17ga	17ga	17ga	17ga	22ga

	-616111R1	-616115C	-616124C	-616215C	-616311R1	-626124R1
A: length	11-1/2"	15"	24"	15"	11-1/2"	24"
B: height	3"	3"	3"	3"	3"	3"
C: gauge	22ga	22ga	22ga	20ga	17ga	22ga

ITEM # SUBMITTED	_____
JOB NAME	_____
LOCATION	_____
ENGINEER	_____
CONTRACTOR	_____
PO#	_____ TAG _____



Create Item Number

240-A6BCDEF

e.g. 240-606106R124: waste arm slip joint connect, 22ga, 1-1/2" X 6", rough brass, 24/bg

ITEM A	GAUGE B	LENGTH C	NUT D	FINISH E	PACKAGE F
60 = waste arm slip joint connect	1 = 22ga	06 = 6"	_ = N/A (blank)	C = chrome	20 = 20 per box
61 = waste arm direct connect	2 = 20ga	08 = 8"	1 = brass nuts	R1 = rough brass	24 = 24 per box
62 = waste arm slip joint x direct connect	3 = 17ga	11 = 11-1/2"			
		15 = 15"			
		18 = 18"			
		24 = 24"			
		36 = 36"			



*Not all combinations available. Contact your local rep to confirm availability.