

ServiceBox™

Accessible Water Service System

Patent #11,473,276



Labor-Saving

Installs quickly and mounts securely.

Reduces time spent on the job at rough-in and finish.

Reduce leaks, call-backs and liability.



Simple

ONE product replaces multiple items – Less mess, less waste.

Simple packaging – everything you need is included.

Reduces buying, stocking, handling, etc.



Serviceable

Union connections with EPDM seals.

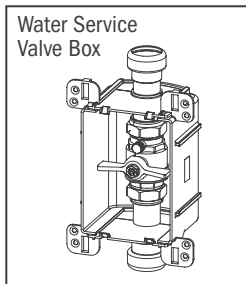
All valves are easily repairable and replaceable.



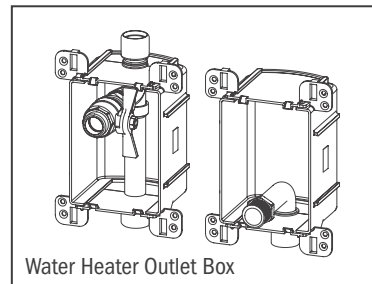
Certified

Full Flow - 600WOG valves.

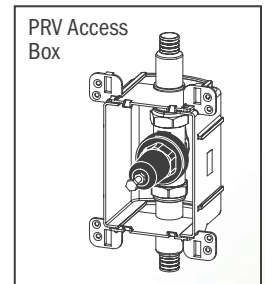
Listed. Certified. Compliant.



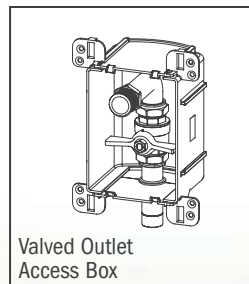
Water Service Valve Box



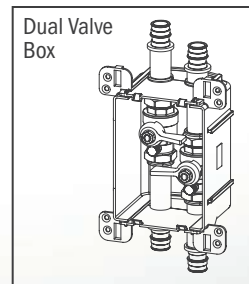
Water Heater Outlet Box



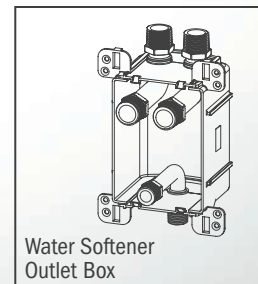
PRV Access Box



Valved Outlet Access Box



Dual Valve Box



Water Softener Outlet Box

Supply

Drainage

Support

Specialties

www.siouxchief.com

TAKE THE FIELD.





Labor-Saving

Installs quickly and mounts securely. Reduce leaks, call-backs and liability. Reduces time spent on the job at rough-in and finish. Find out how much **\$\$\$** you can save – our cost analysis forms (available online) use **your** current costs to calculate **your** savings.



Simple

ONE product replaces multiple items – Less mess, less waste. Simple packaging – everything you need is included ... Grab & Go. Reduces buying, stocking, handling, etc.



Serviceable

Union connections with EPDM seals. All valves are easily repairable and replaceable. Uniquely serviceable for long life.



Certified

Full Flow - 600WOG valves. Listed. Certified. Compliant.



Consistent

No more guessing. No more varied costs. Standardized rough-ins – provides a repeatable installation for consistent results.



Strong

Robust box design fastens securely to stud. Exclusive MainBlock mounting system for rock-solid installations.



Professional-Looking

Valves are recessed and out of sight inside clean, compact, access boxes. Paintable, beveled frames provide a stylish finish.



Complete

All common connection styles. Approved for fire-rated or standard applications. Connection sizes 1/2" – 1-1/4"



Quality

Superior materials - DZR/SCC-resistant brass, EPDM sealing gaskets, anodized aluminum valve handles, durable ABS access boxes.

Certifications



NSF-61
Annex G



Fire-Rated



Dezincification
Resistant



1003



Stress-corrosion
Cracking Resistant



IAPMO
Listed

Connections



F1960
Expansion



F1807
Crimp



CPVC
Socket



CTS & IPS
Push



MSWT,
Press, Push

Applications

- **Single Valve** for main or water supply shut-off,
- **PRV** for in-line connection to water supply box,
- **Valved Outlet** for appliances or misc. water service,
- **Dual-Valve** for separating/isolating lines,
- **Water Heater** flow-through or termination style,
- **Water Softener** with inlet/outlet and brine discharge
- **Anywhere** an accessible valve is needed!



Engineered for Versatility

ServiceBox products work together as a system. The system can be easily adapted for cities/jurisdictions having different, but specific requirements for water supply or valve placement.

A

ServiceBox™
Dual-Valve Box

Un-Softened Line

Wye Splitter

MainBlock™
All ServiceBox product
Includes the MainBlock
tube anchoring system

ServiceBox™
PRV Box

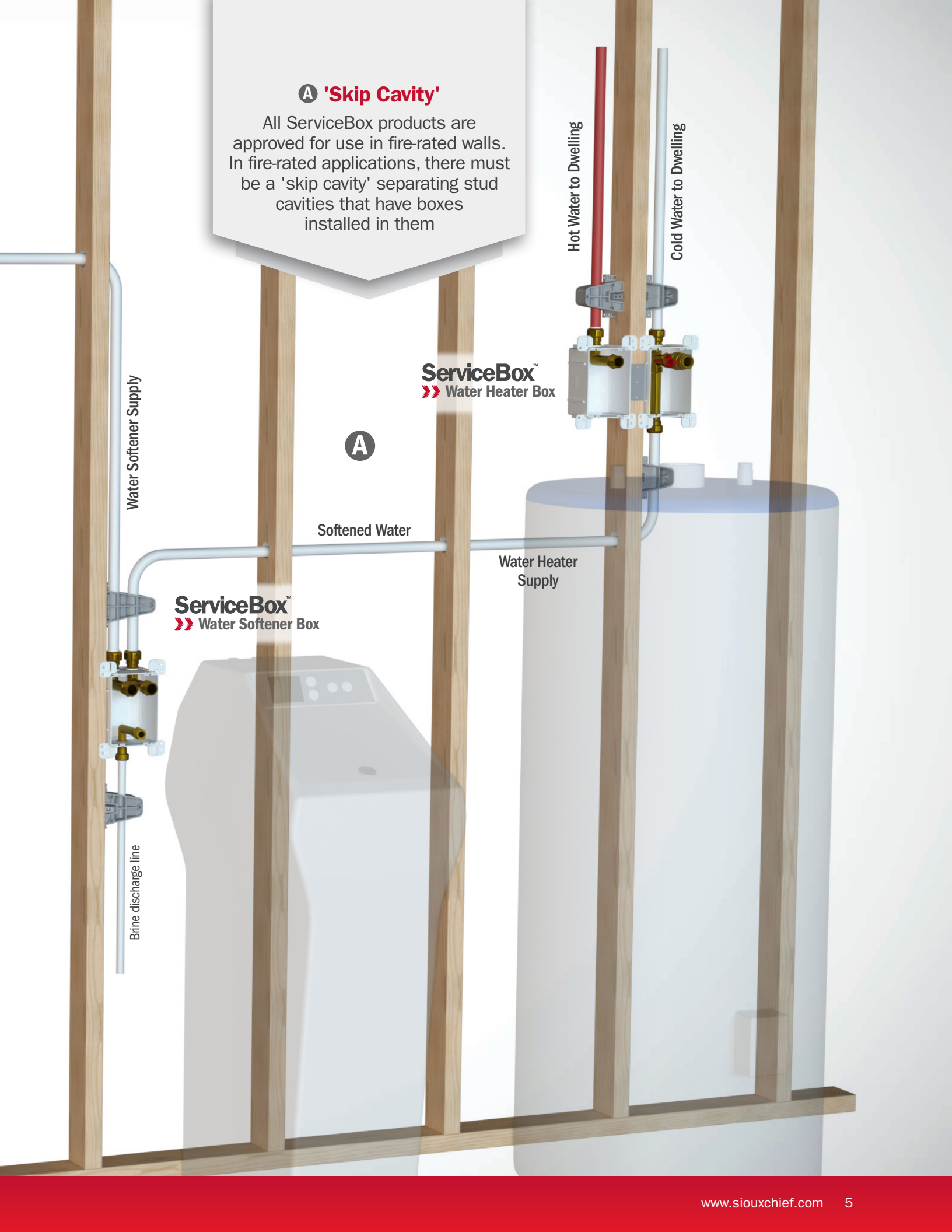
Fire Suppression
or Irrigation Line
(Full-pressure)

ServiceBox™
Water Service Box

Fire Suppression
or Irrigation Line
(Full-pressure. May be
upstream of shut-off per
code requirements)

A 'Skip Cavity'

All ServiceBox products are approved for use in fire-rated walls. In fire-rated applications, there must be a 'skip cavity' separating stud cavities that have boxes installed in them



Water Softener Supply

Brine discharge line

ServiceBox™
Water Softener Box

Softened Water

Water Heater Supply

ServiceBox™
Water Heater Box

Hot Water to Dwelling


Cold Water to Dwelling

A

Water Service Valve Box

Applications

The water service valve box is perfect for use as a main shut-off for the dwelling, or install it anywhere a single, accessible valve is needed in the system.

 Approved for fire-rated applications, it can be installed in shared or rated walls with no need to fire-caulk or box around with drywall

Box fastens securely to stud, or slide any flat bracket through the tracks to position between studs.

Multiple connection types and sizes available:



1/2" 3/4" 1" 1-1/4"

Capped outlet port behind handle makes it easy to drain-down the system when valve is shut off.
(Push 3/8" ID vinyl tube over threads to control/direct the drain-down)

Anodized aluminum T-handle is easy to operate and corrosion-resistant

Full Flow!
600wog valve

Union connections with EPDM seals make valves easily repairable and replaceable

Tough, durable,
ABS box material



All brass materials are NSF-61 Annex G compliant, and resistant to dezincification and stress-corrosion cracking

Labor Savings

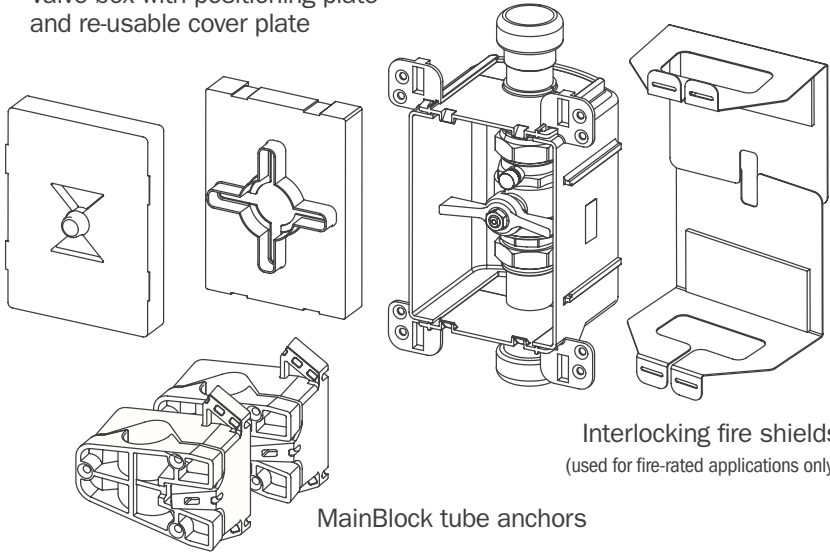
Use the online cost analysis form to find out how much \$\$\$ you can save, using the ServiceBox.





What's Included:

Valve box with positioning plate and re-usable cover plate



Interlocking fire shields
(used for fire-rated applications only)

MainBlock tube anchors

Finish frame (item no. 687-1F) sold separately.

Buy frames separately. Later, when you need them. Not at rough-in. You don't need them at rough-in. They'll just get lost.

Protected

The Positioning Plate keeps the valve securely in place and helps prevent 'unauthorized' operation – can remain installed after finish, as desired.

Cover Plate installs over Positioning Plate. Protects the valve and inner box from damage, debris, paint, etc. Removes when frames are installed – also works with all OxBox™ access boxes.




The BLUE Box

Color-coded boxes with wrap-around labels. Easy to stock, easy to identify. Provides a complete, 'Grab & Go' package.

Pressure-Reducing Valve Box

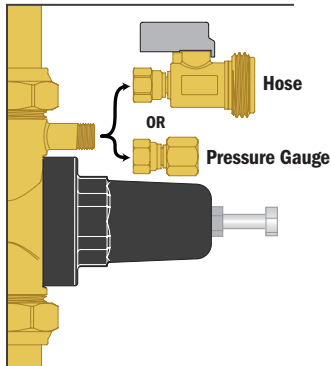
Applications

The pressure-reducing valve box is typically installed downstream of the main shut-off and helps protect fixtures from excessive pressures coming in from the water service.

 Approved for fire-rated applications, it can be installed in shared or rated walls with no need to fire-caulk or box around with drywall

Box fastens securely to stud, or slide any flat bracket through the tracks to position between studs.

Optional capped outlet port is perfect for installing the 131-G0Y3HR101 ball valve for hose connection, or the 930-46101001 adapter for hooking up a pressure gauge.




Multiple connection types and sizes available:



3/4" 1"

Union connections with EPDM seals make valves easily repairable and replaceable

Tough, durable, ABS box material

 Fully adjustable pressure-reducing valve complies with ASSE 1003 and is factory set to 60psi

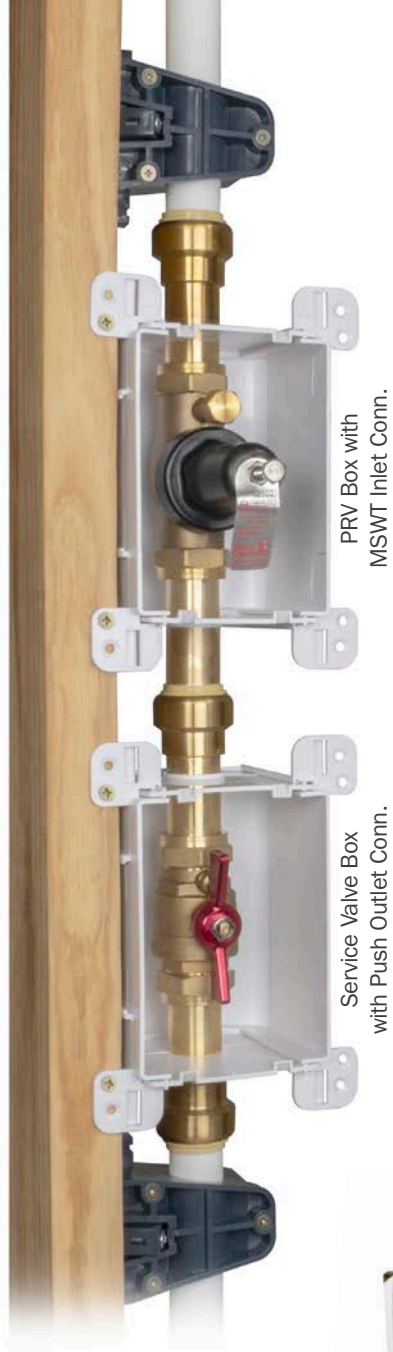


Labor Savings

Use the online cost analysis form to find out how much \$\$\$ you can save, using the ServiceBox.

All boxes ship with a PVC 'jumper' installed, and the PRV boxed separately, for later installation



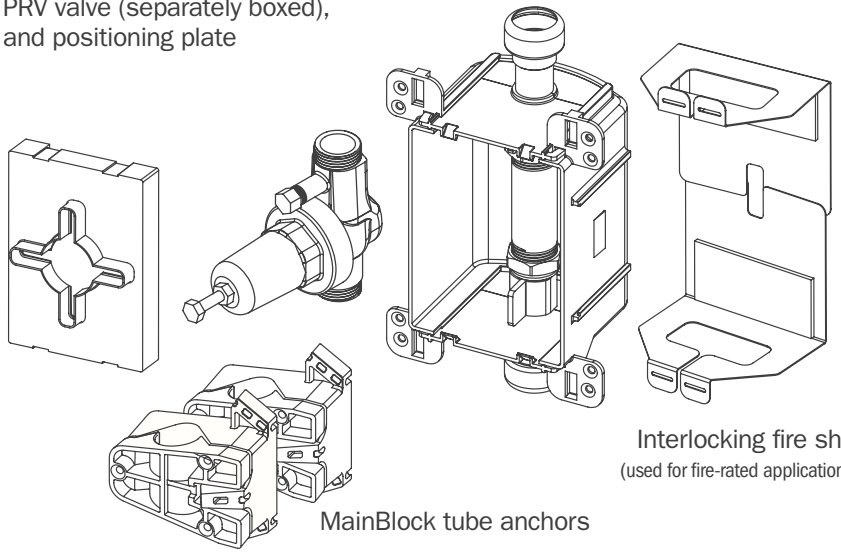


PRV Box with MSWT Inlet Conn.

Service Valve Box with Push Outlet Conn.

What's Included:

Valve box with PVC 'jumper' installed, PRV valve (separately boxed), and positioning plate



Interlocking fire shields (used for fire-rated applications only)

MainBlock tube anchors

Finish frame (item no. 687-1F) sold separately.

Buy frames separately. Later, when you need them. Not at rough-in. You don't need them at rough-in. They'll just get lost.

Connect in Line

The PRV box can be installed independently, or 'daisy-chained' directly downstream of a water service valve box. PRV boxes with MSWT inlet connections are perfect for connecting in line with water service valve boxes with Push outlets.




The BLACK Box

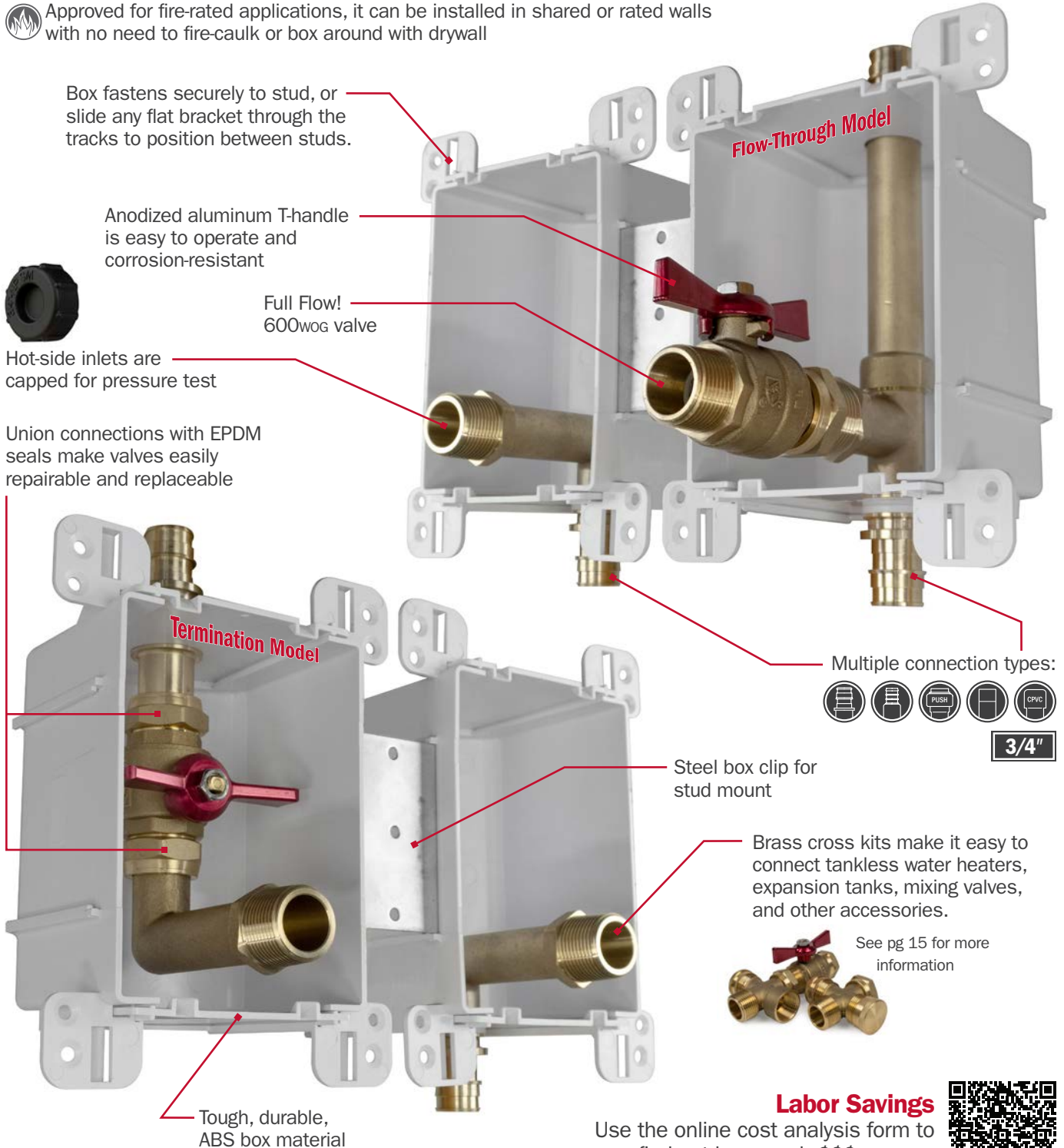
Color-coded boxes with wrap-around labels. Easy to stock, easy to identify. Provides a complete, 'Grab & Go' package.

Water Heater Access Box

Applications

Two types of water heater access boxes are available, depending on the application, and preferred installation method. The 'Flow-Through' model includes a bypass on the cold outlet (behind the valve), and the 'Termination' model includes a single, valved, cold-side elbow outlet, and a single hot-side elbow inlet.

 Approved for fire-rated applications, it can be installed in shared or rated walls with no need to fire-caulk or box around with drywall



Box fastens securely to stud, or slide any flat bracket through the tracks to position between studs.






Anodized aluminum T-handle is easy to operate and corrosion-resistant

Full Flow! 600wog valve

Hot-side inlets are capped for pressure test

Union connections with EPDM seals make valves easily repairable and replaceable

Multiple connection types:

- 
- 
- 
- 
- 

3/4"

Steel box clip for stud mount

Brass cross kits make it easy to connect tankless water heaters, expansion tanks, mixing valves, and other accessories.

See pg 15 for more information

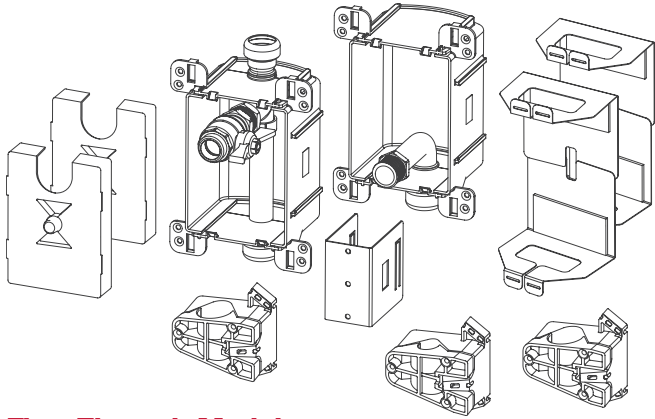
Tough, durable, ABS box material

Labor Savings

Use the online cost analysis form to find out how much \$\$\$ you can save, using the ServiceBox.

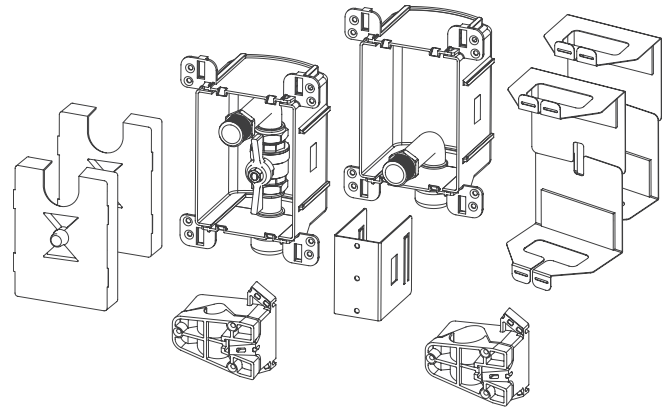


What's Included:



Flow-Through Model

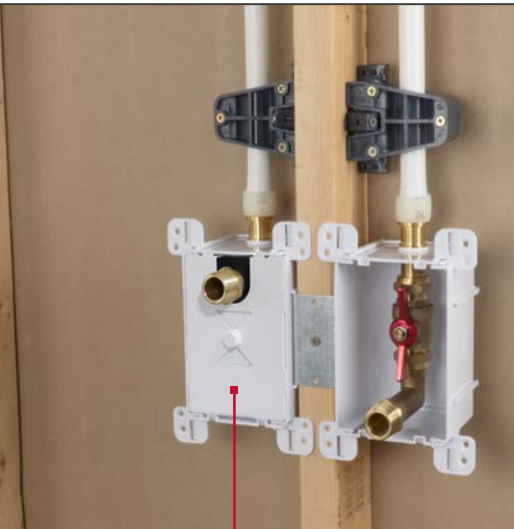
One access box with valved, flow-through, cold-side outlet, one access box with hot-side elbow inlet, interlocking fire shields, re-usable cover plates, stud-mounting box clip, and MainBlock tube anchors.



Termination Model

One access box with valved, cold-side elbow outlet, one access box with hot-side elbow inlet, interlocking fire shields, reusable cover plates, stud-mounting box clip, and MainBlock tube anchors.

Finish frame (item no. 687-1F) sold separately.



Mount Over Stud

Steel box clip locks boxes together and allows them to mount over a stud with a single screw for quick and easy rough-ins.



... Or Not

Boxes can also be mounted between studs on a flat bracket, or separately, in any position or orientation – whatever best suits your application



Cover Plates Included

Re-usable cover plates (2) protect the fitting, valve and inner box from damage, debris, paint, etc. Remove when frames are installed.

The RED Box


Color-coded boxes with wrap-around labels. Easy to stock, easy to identify. Provides a complete, 'Grab & Go' package.



Dual-Valve Access Box

Applications

Works well as a secondary shut-off for hot/cold mains, remote bathrooms or for separating lines using a wye splitter.

 Approved for fire-rated applications, it can be installed in shared or rated walls with no need to fire-caulk or box around with drywall

Box fastens securely to stud, or slide any flat bracket through the tracks to position between studs.

Capped outlet port behind handle makes it easy to drain-down the system when valve is shut off.
(Push 3/8" ID vinyl tube over threads to control/direct the drain-down)

Full Flow!
600wog valve

Anodized aluminum
T-handle

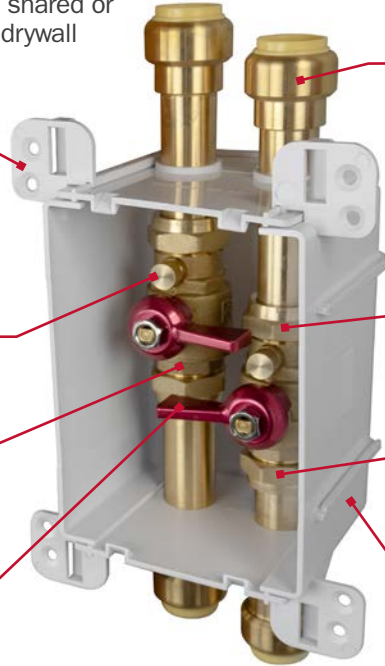
Multiple connection types and sizes available:



1/2" 3/4"

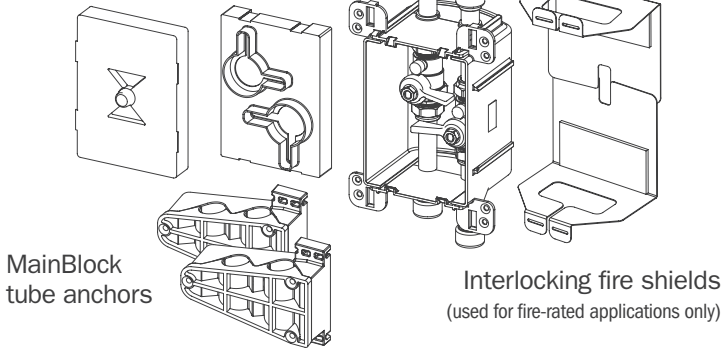
Union connections with EPDM seals make valves easily repairable and replaceable

Tough, durable,
ABS box material



What's Included:

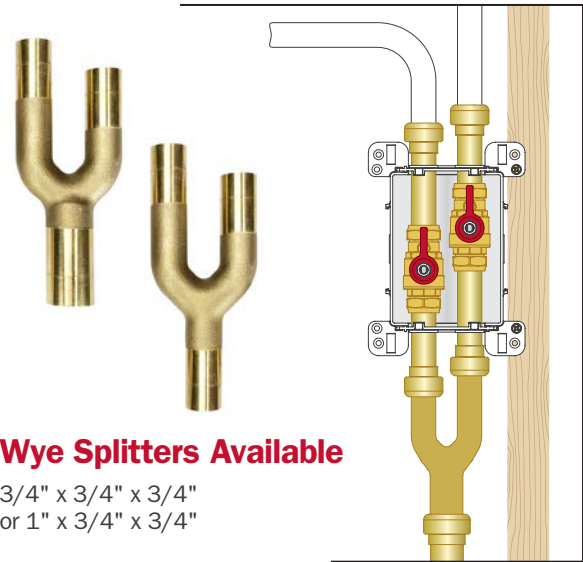
Valve box with positioning plate and re-usable cover plate



MainBlock
tube anchors

Interlocking fire shields
(used for fire-rated applications only)

Finish frame sold separately.
(Item no. 687-1F)



Wye Splitters Available

3/4" x 3/4" x 3/4"
or 1" x 3/4" x 3/4"



Labor Savings

Use the online cost analysis form to find out how much \$\$\$ you can save, using the ServiceBox.




The GREEN Box

Color-coded boxes with wrap-around labels. Easy to stock, easy to identify. Provides a complete, 'Grab & Go' package.

Water Softener Access Box

Applications

Replace costly, site-fabricated assemblies and loops with a single, easy-to-install product. Provides Hard-Water-In, Soft-Water-Out, and brine discharge connections for water softener hookup in a clean, compact access box.

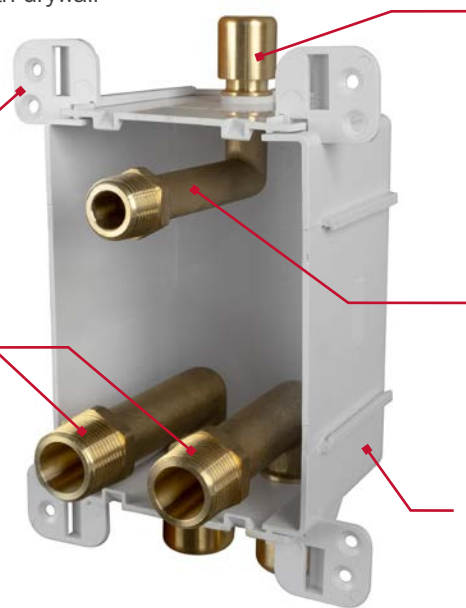
 Approved for fire-rated applications, it can be installed in shared or rated walls with no need to fire-caulk or box around with drywall

Box fastens securely to stud, or slide any flat bracket through the tracks to position between studs.

Optional 3/4" or 1" MIP thread outlets provide ample flow to and from the unit



Outlets are capped and ready for pressure test



Multiple connection types and sizes available:



3/4" **1"**

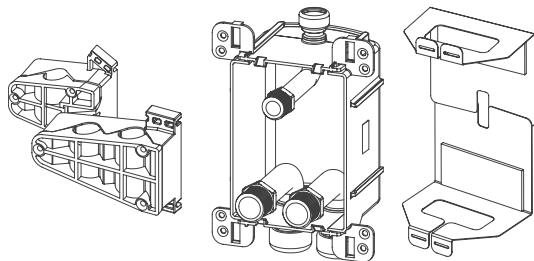
1/2" discharge line runs to convenient disposal location

Tough, durable, ABS box material

What's Included:

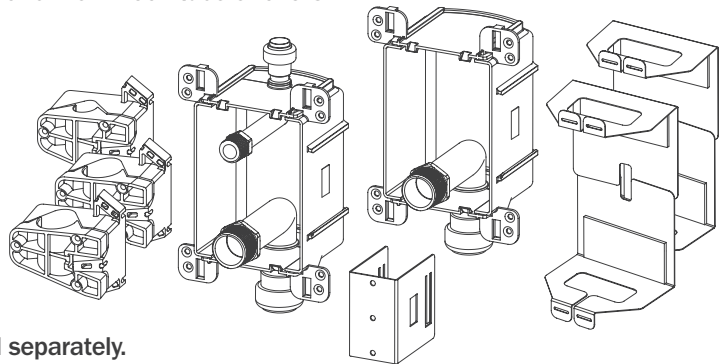
3/4" Model - One Box

Access box with brass elbows, interlocking fire shields, and MainBlock tube anchors



1" Model - Two Boxes

One access box with two brass elbows, one access box with one brass elbow, interlocking fire shields, stud-mounting box clip, and MainBlock tube anchors



Finish frame sold separately.
(Item no. 687-1F)



Labor Savings

Use the online cost analysis form to find out how much \$\$\$ you can save, using the ServiceBox.




The GRAY Box

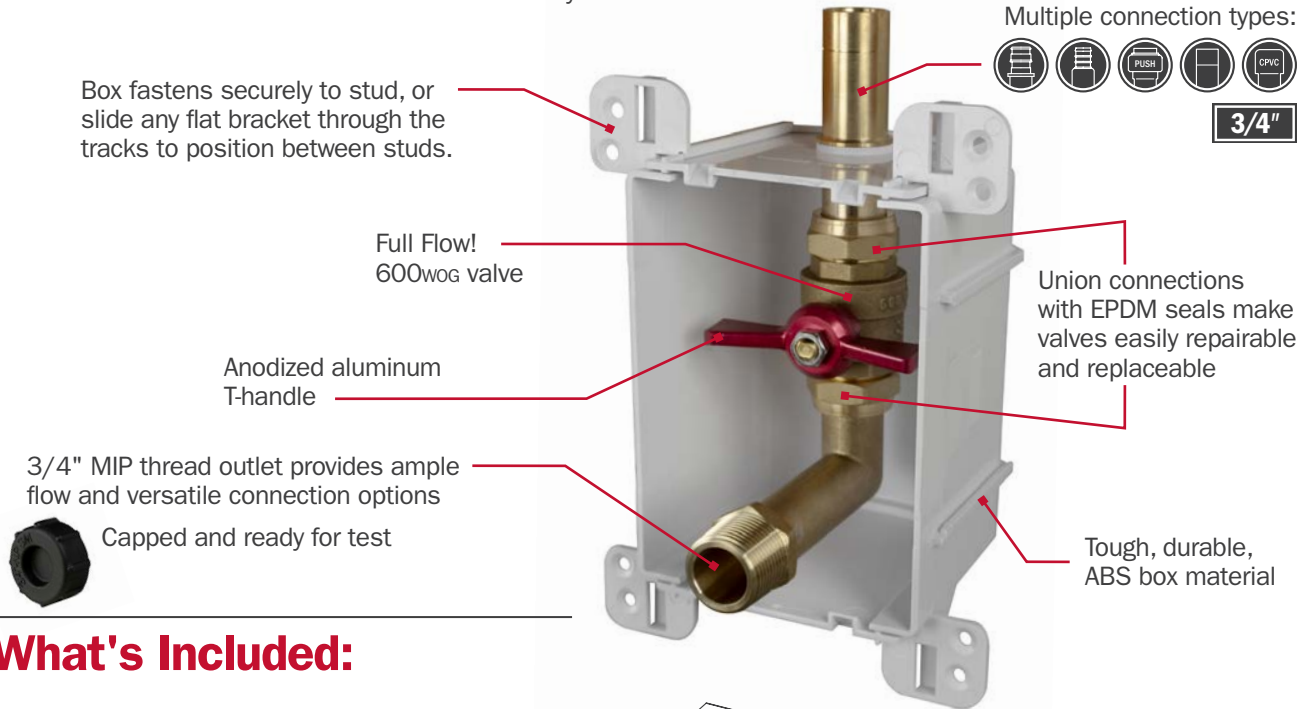
Color-coded boxes with wrap-around labels. Easy to stock, easy to identify. Provides a complete, 'Grab & Go' package.

Valve Termination Box

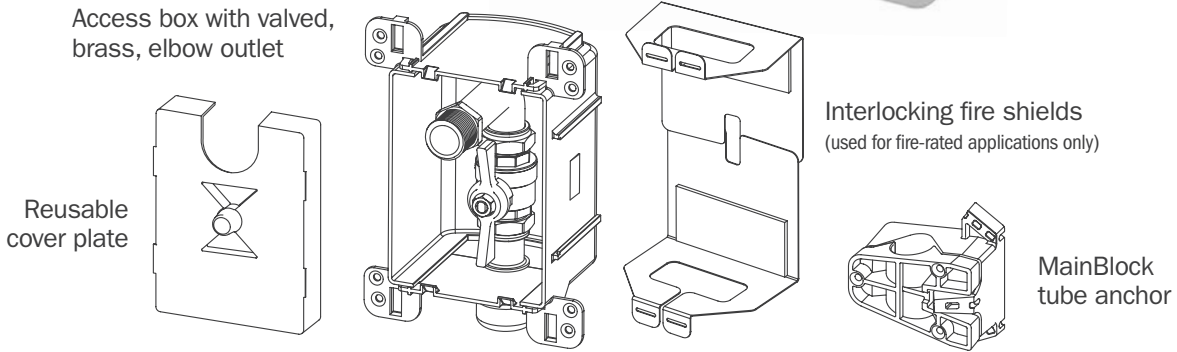
Applications

Perfect for any application where you need valved water service – in the garage/barn/shed, or for appliance connection.

 Approved for fire-rated applications, it can be installed in shared or rated walls with no need to fire-caulk or box around with drywall



What's Included:



Finish frame (item no. 687-1F) sold separately.

Buy frames separately. Later, when you need them. Not at rough-in. You don't need them at rough-in. They'll just get lost.



Labor Savings

Use the online cost analysis form to find out how much \$\$\$ you can save, using the ServiceBox.



The ORANGE Box

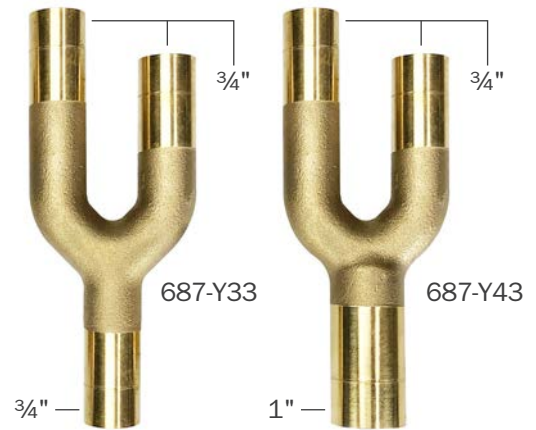
Color-coded boxes with wrap-around labels. Easy to stock, easy to identify. Provides a complete, 'Grab & Go' package.

ServiceBox Accessories



Frame/Extension/Cover

Beveled frame for a finished look. Frame extensions (for multiple drywall layers) and finish cover available.



Wye Splitters

Conveniently splits a single line into the Dual-Valve box's separate inlet connections. Perfect for splitting a cold water line upstream of a water softener or heater.

Brass Crosses & Cross Kits

Solid brass cross components replace multiple fittings and solder joints.

Kits include full-port ball valves with large, Easy-Turn handles

Consistent, repeatable installations are clean, solid, and professional-looking

Perfect for tankless heater installations. Makes connecting lines for routine delime/descale process much easier – valves isolate tank, while crosses provide convenient hose connections.



Save Time - Reduce Liability!



Water Heater Accessories
Scan for Brochure



Ball Valve

1/4" swivel compression x MHT ball valve. Connects to optional outlet port on PRV valves to connect garden hose for drain down or other/misc. needs.



Gauge Adapter

1/4" swivel compression x 1/4" FIP Connects to optional outlet port on PRV valves for easy connection of gauge downstream of PRV for pressure check.

... for more information
on ServiceBox™ ...



Buying Guide

Buying information for the complete ServiceBox offering



Video

Intro and overview for the ServiceBox system



Installation Instructions

For both standard applications,
and in fire-rated walls



Setup & maintenance for
pressure-reducing valves



Web Pages

Choose for product-specific information, like spec sheets



All brass materials are NSF-61 Annex G
compliant, and resistant to dezincification
and stress-corrosion cracking