

WeldOne™

Integral Trap Floor Drain



Convenient

- Great general-purpose drain for on-grade applications
- Integral trap means fewer fittings and glue joints
- Pre-threaded, knockout trap primer connection
- Debris cover protects strainer during rough-in

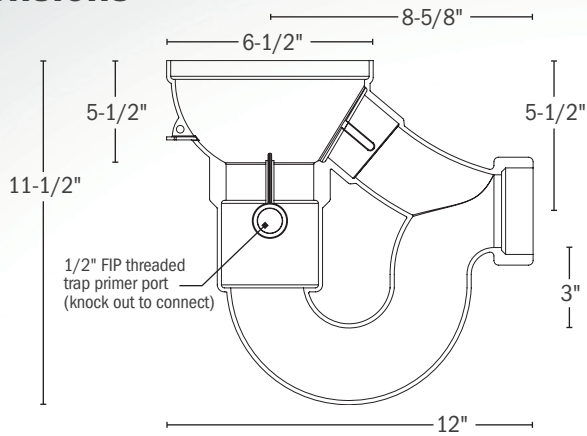
Dependable

- Reinforced hub reduces cracking if pipe is moved
- Stake anchor provides better front-side securing
- Designed and made in the USA!

2" FIP threaded throat is designed for a float-ball backwater device. 1-1/2" cleanout plug is pre-installed into FIP cleanout threads



Dimensions



Add 5/16" to height when using metal ring/strainer



Durable, adhesive debris cover protects drain/strainer during construction and removes with no residue.



800-P



800-A



801-NQ2



801-SR2



802-7

Buying Information

ITEM NO.	DESCRIPTION	MIN. QTY.	CASE QTY.
WeldOne Floor Drains			
800-A	ABS WeldOne floor drain with black polypro strainer - 2" Sch. 40 hub connection	12	12
800-ABW	ABS WeldOne floor drain with black polypro strainer and float-ball backwater device - 2" Sch. 40 hub connection	12	12
800-APK	ABS WeldOne floor drain with black polypro strainer - 2" Sch. 40 hub connection	3	3
800-P	PVC WeldOne floor drain with gray polypro strainer - 2" Sch. 40 hub connection	12	12
800-PBW	PVC WeldOne floor drain with gray polypro strainer and float-ball backwater device - 2" Sch. 40 hub connection	12	12
800-PPK	PVC WeldOne floor drain with gray polypro strainer - 2" Sch. 40 hub connection	3	3
Accessories			
802-7	Float-ball backwater device for 2" FIP threads - works with WeldOne floor drains	12	12
801-PG2	Gray polypro strainer - fits WeldOne and QuadDrain floor drains	1	25
801-A2	Black polypro strainer - fits WeldOne and QuadDrain floor drains	1	25
801-P2	White polypro strainer - fits WeldOne and QuadDrain floor drains	1	25
801-P2PK	White polypro strainer - fits WeldOne and QuadDrain floor drains	10	10
801-NR2	Round nickel-bronze ring & strainer with screws - fits WeldOne and QuadDrain floor drains	1	10
801-NQ2	Square nickel-bronze ring & strainer with screws - fits WeldOne and QuadDrain floor drains	1	10
801-SR2	Round stainless steel ring & strainer with screws - fits WeldOne and QuadDrain floor drains	1	10
801-SQ2	Square stainless steel ring & strainer with screws - fits WeldOne and QuadDrain floor drains	1	10
801-DR2	Round heavy-duty ductile iron ring & strainer with screws - fits WeldOne and QuadDrain floor drains	1	10
801-A	Black polypro strainer - fits older model (pre 2010) WeldOne and QuadDrain floor drains	1	25
801-APK	Black polypro strainer - fits older model (pre 2010) WeldOne and QuadDrain floor drains	10	10
801-P	White polypro strainer - fits older model (pre 2010) WeldOne and QuadDrain floor drains	1	25
801-PPK	White polypro strainer - fits older model (pre 2010) WeldOne and QuadDrain floor drains	10	10