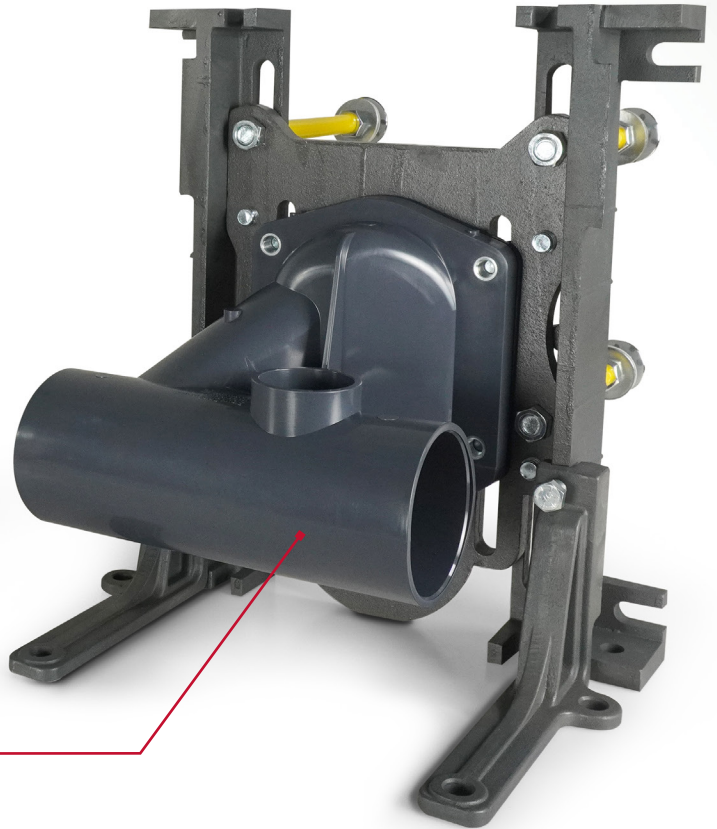


Closet Carriers

 with PVC Fitting

Patent Pending



**The Industry's First
PVC Fittings
for Water Closet Carriers!**

PVC Waste Fittings

Lighter fittings reduce the weight of each fixture by 14%. Carriers are easier to ship, handle, prefab, and install.

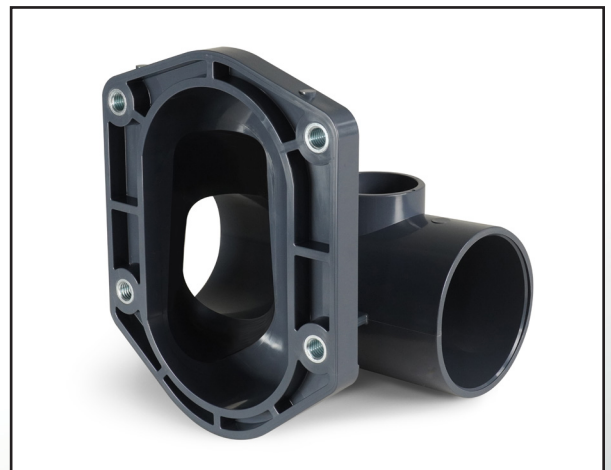
PVC material is corrosion-resistant and impervious to sewer gases. Rated V-0 per UL94

Innovative Design

Reinforced leg supports eliminate the need for a rear anchor in applications up to 500lbs.

Coupling with integral gasket installs easily and makes positive seal with faceplate.

The rugged, one-piece PVC waste fitting is **Made in the USA**



Supply

Drainage

Support

Specialties

www.siouxchief.com

TAKE THE FIELD.





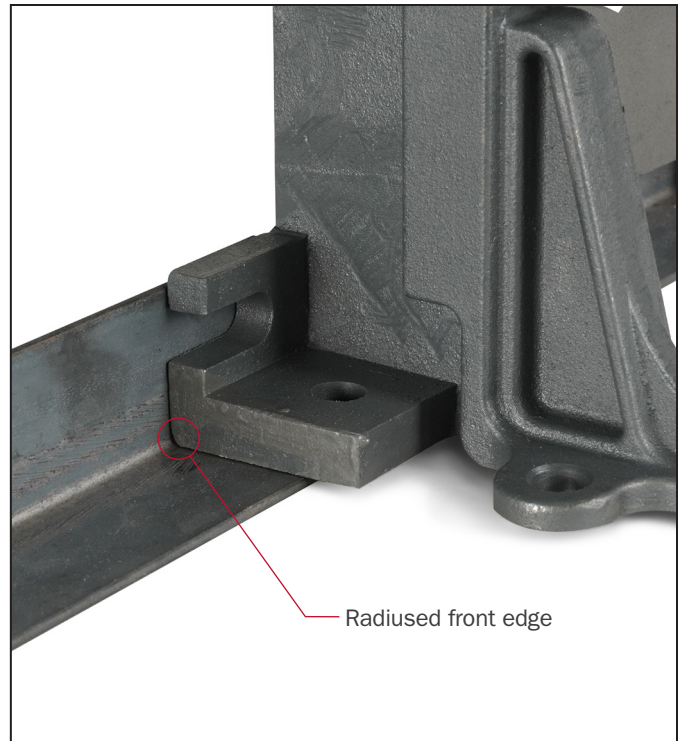
Smooth walls mean better flow! PVC fitting transports effluent faster and more completely than fittings with a rougher surface.



Newly-designed ABS couplings include knockout test cap and integrally-molded, TPR gasket, which seals tight with corresponding taper on faceplate.



Gasket includes gripping fins to hold fitting screws, keeping both gasket and screws in place during assembly. 'UP' indicator prevents misalignment.



Legs are designed with a radiused front edge and machined-flat surfaces, allowing them to match up tightly with angle iron for prefab applications.

Other Fixture Carriers & Accessories *available from Sioux Chief...*

Water Supply Brackets



A full line of carrier brackets

Lav & Urinal Carriers

Concealed-arm and plate-type carriers for lavatories, urinals and water coolers



Water Closet Carriers

with cast iron fittings for heavy-duty (750lbs) or bariatric (1,000lbs) applications



Copper Stub Outs

3/4" & 1" preformed copper stub outs

837-S12



837-PHSLT



837-TF



Options:

T = 12" long ABS coupling in lieu of 6" (standard)

Buying Information

ITEM NO.	DESCRIPTION	MIN. QTY.	CASE QTY.
CARRIERS			
837-PHSL	LEFT inlet - Horizontal Water closet carrier with PVC fitting - Standard (500lbs. max)	1	1
837-PHSR	RIGHT inlet - Horizontal Water closet carrier with PVC fitting - Standard (500lbs. max)	1	1
ACCESSORIES			
837-TF	Finish tiling frame for closet carrier - ABS	1	20
837-S06	6" long ABS carrier coupling with integral gasket ¹	1	1
837-S12	12" long ABS carrier coupling with integral gasket ¹	1	1
521-725	Copper-plated carrier bracket with 1" CTS hole	5	5
521-728	Copper-plated carrier bracket with 1" CTS notch	5	5
624-L08	1" M.SWT x 8" long spun-closed copper stub out	30	30
624-L12	1" M.SWT x 12" long spun-closed copper stub out	30	30

1 A 6" or 12" ABS coupling is included with the carrier assembly