

COPPER TUBE CUSHION CLAMP

»» 517 SERIES

SPECIFICATION

Sioux Chief 517 series copper tube cushion clamp shall be used to secure copper tubing through resilient cushions with steel clamps and 1-5/8" wide channel. Clamp assemblies shall allow tube to be set on variable centers, to be added/removed without the need to un-clamp other elements, and to be stacked or installed back-to-back without removing lines from supply or receiver. Cushion material shall be resistant to oils, hydraulic fluids, grease, fuels, common solvents, dilute bases, mineral acids, and not degrade at operating temperatures of 275° F. Designed in accordance with MSS SP58 - Type 59.

MATERIALS

Cushion/isolator: TPE

Clamp: 1008-1010 carbon steel with threaded studs and nylon insert locknut*

INSTALLATION

Assemble with wrench. Refer to local codes for clamp spacing requirements

SAFE WORKING TEMPERATURE

-65° F (-53.8° C) to 275° F (135° C)

LOAD RATING

	1/2"	3/4"	1"	1-1/4"	1-1/2"	2"
Design Load 1:	400 lbs.	600 lbs.	600 lbs.	600 lbs.	600 lbs.	800 lbs.
Design Load 2:	50 lbs.	75 lbs.	75 lbs.	75 lbs.	75 lbs.	125 lbs.
Design Load 3:	50 lbs.	75 lbs.	75 lbs.	75 lbs.	75 lbs.	125 lbs.

DIMENSIONS

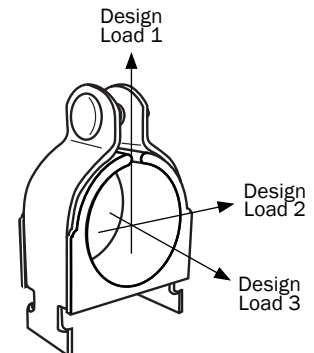
Item	Size (CTS)	O.D.	Width	Bolt	Gauge
517-i062PK2	1/2"	0.625"	1-1/4"	1/4-20 x 3/4"	14
517-i087PK2	3/4"	0.875"	1-1/4"	1/4-20 x 7/8"	14
517-i112PK2	1"	1.125"	1-1/4"	1/4-20 x 7/8"	12
517-i137PK2	1-1/4"	1.375"	1-1/4"	5/16-18 x 1-1/4"	12
517-i162PK2	1-1/2"	1.625"	1-1/4"	5/16-18 x 1-1/4"	11
517-i212PK2	2"	2.125"	1-1/4"	5/16-18 x 1-1/4"	11

*All metal components have a Tri-Valent (non-hex) plating.

ITEM # SUBMITTED	_____
JOB NAME	_____
LOCATION	_____
ENGINEER	_____
CONTRACTOR	_____
PO#	_____ TAG _____



517-i112PK3



Made in USA

Create Item Number

517-A

e.g. **517-i087PK2:** Cushion clamp for 3/4" copper tube

CLAMP SIZE A

i062PK2 = 1/2" Nom. CTS

i087PK2 = 3/4" Nom. CTS

i112PK2 = 1" Nom. CTS

i137PK2 = 1-1/4" Nom. CTS

i162PK2 = 1-1/2" Nom. CTS

i212PK2 = 2" Nom. CTS